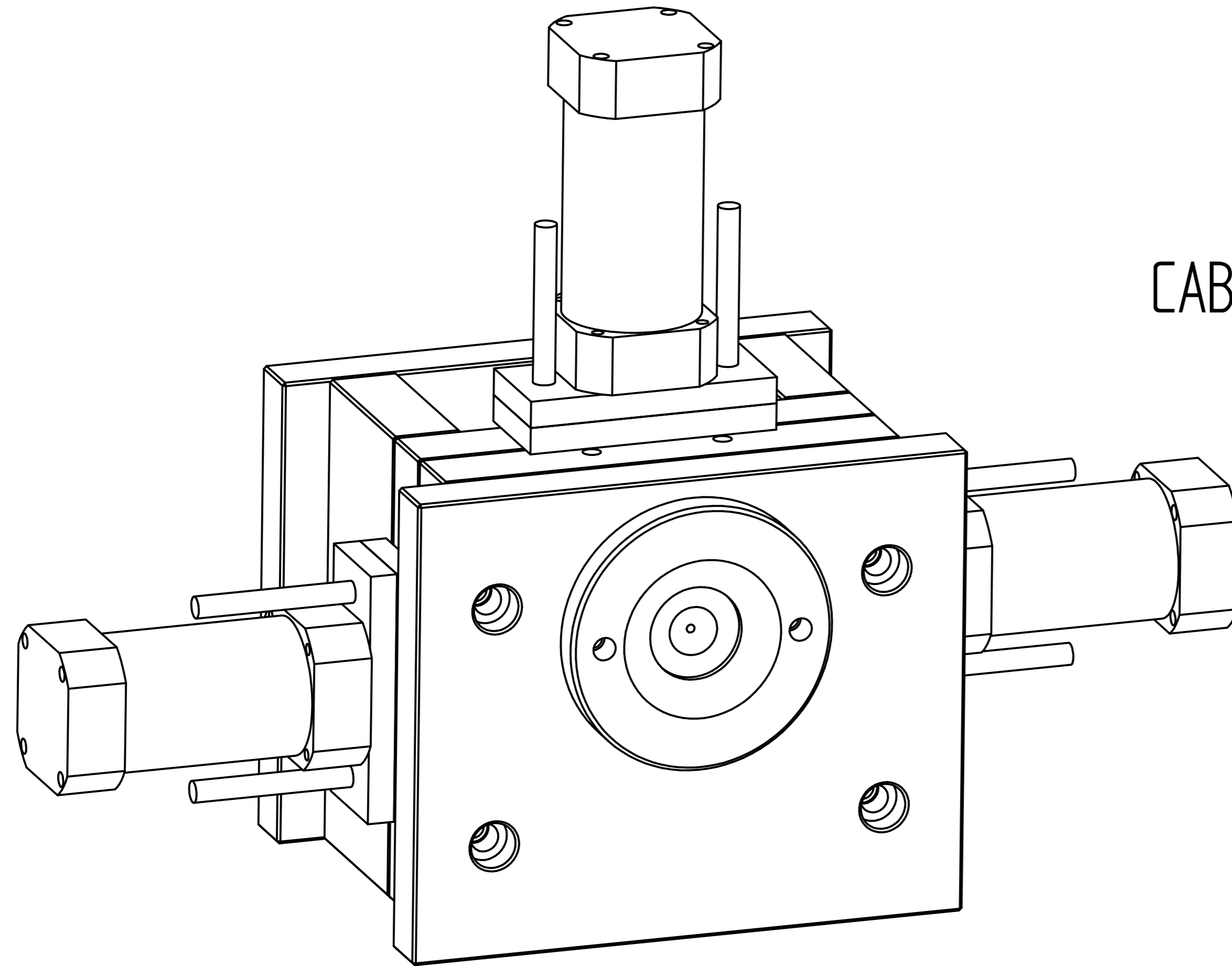
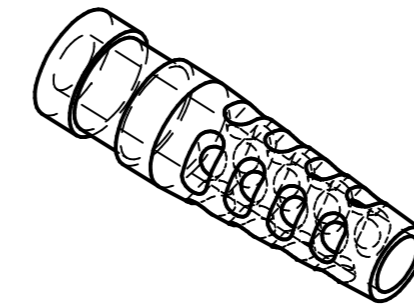


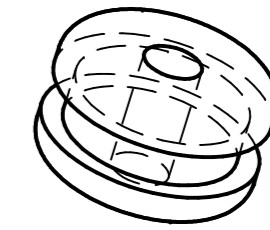
REVISION HISTORY			
REV	DESCRIPTION	DATE	APPROVED



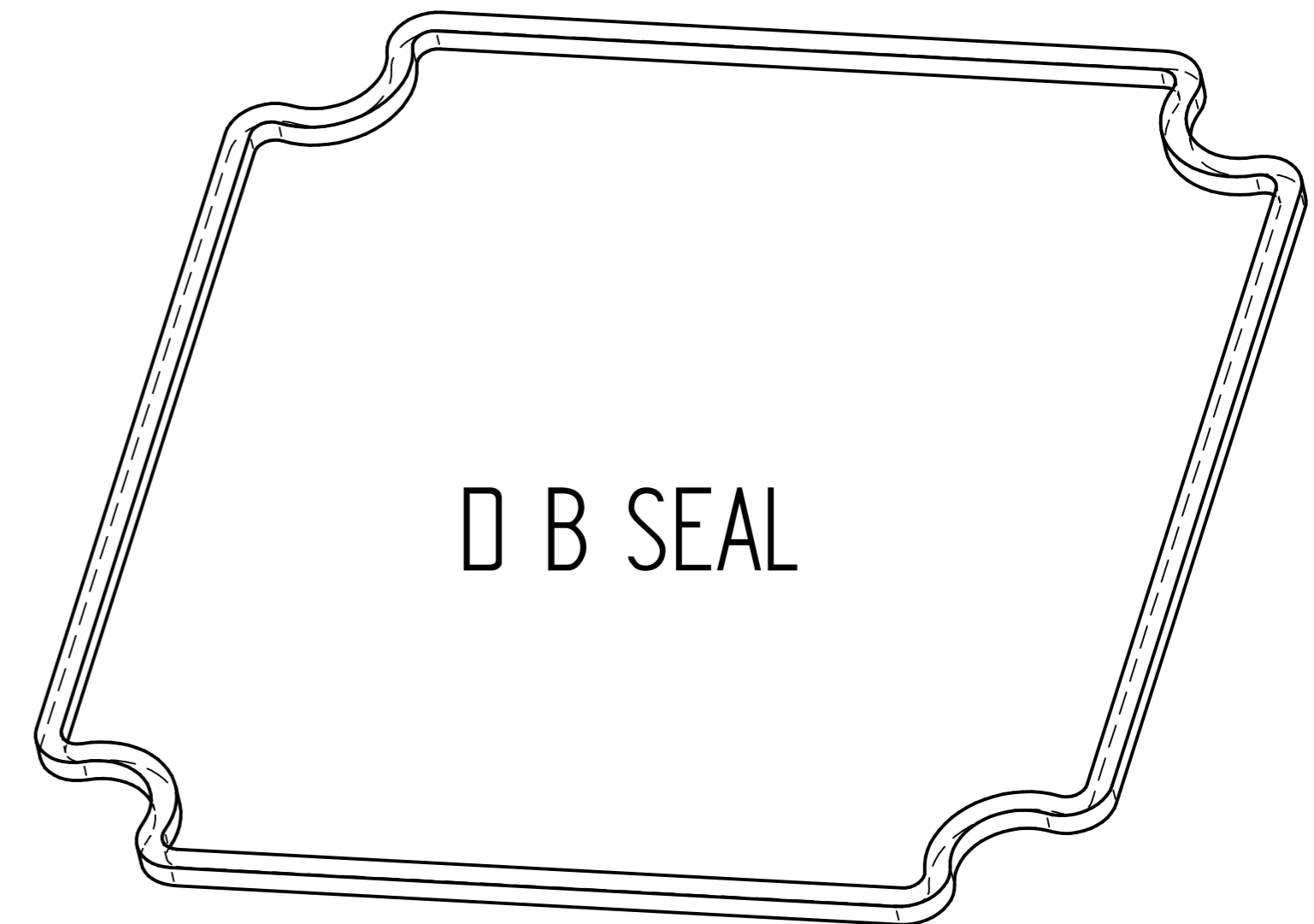
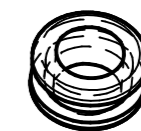
CABLE PROTECTOR



GROMMET



PCB GROMMET



D B SEAL & GROMMET DIE

	NAME	DATE	<b>AGRIGEL</b>	
DRAWN	Dan	01/18/14	TITLE	
APPROVED				
MATERIAL			SIZE	DWG NO
TREATMENT			A4	
UNLESS OTHERWISE SPECIFIED DIMENSIONS ARE IN MILLIMETERS			FILE NAME: D B Seals Die.dft	REV
1st ANGLE ANGLES ±0.1°			SCALE:	WEIGHT:
2 PL ±0.02 3 PL ±0.005				SHEET 1 OF 19