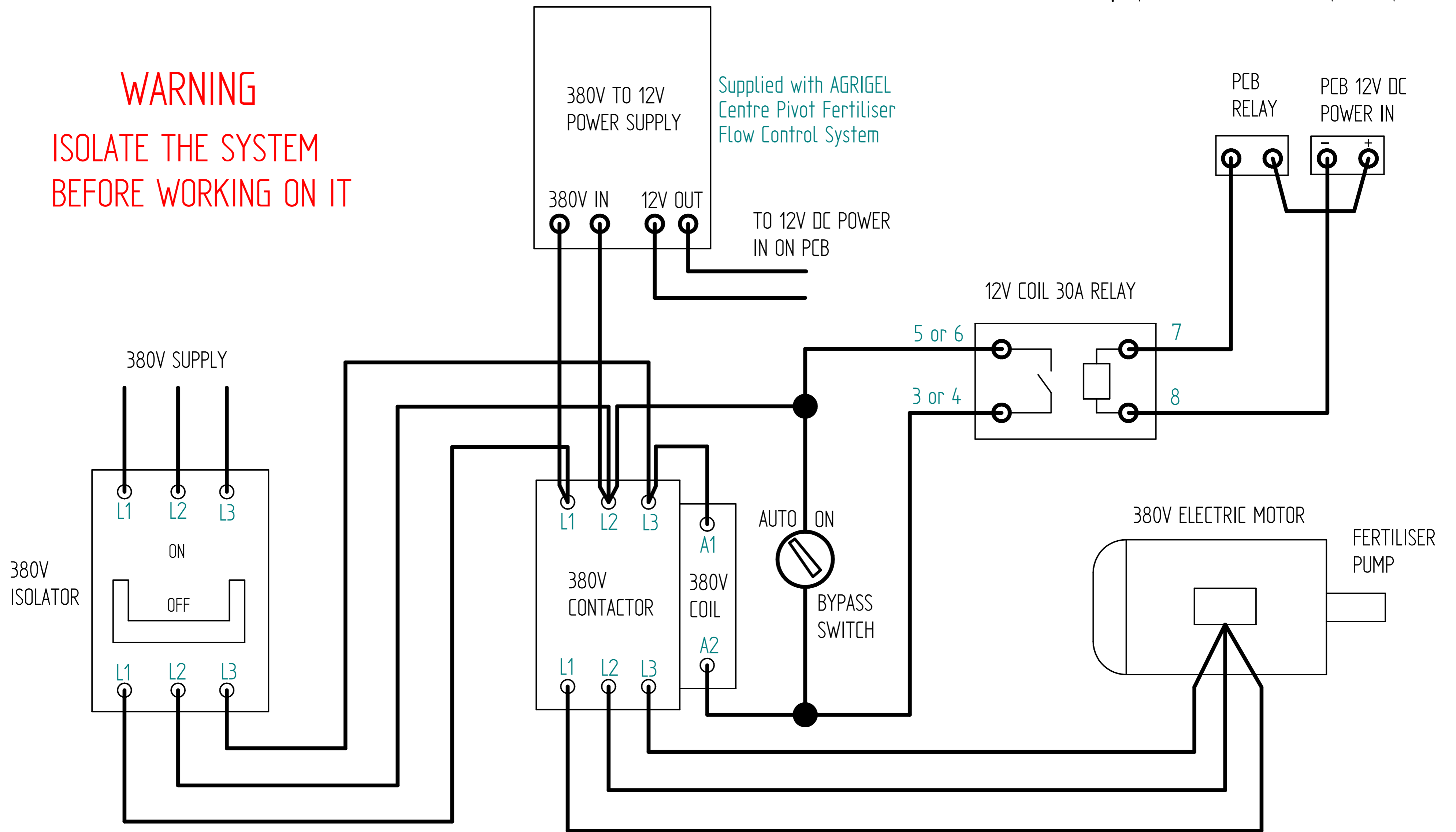


REVISION HISTORY			
REV	DESCRIPTION	DATE	APPROVED

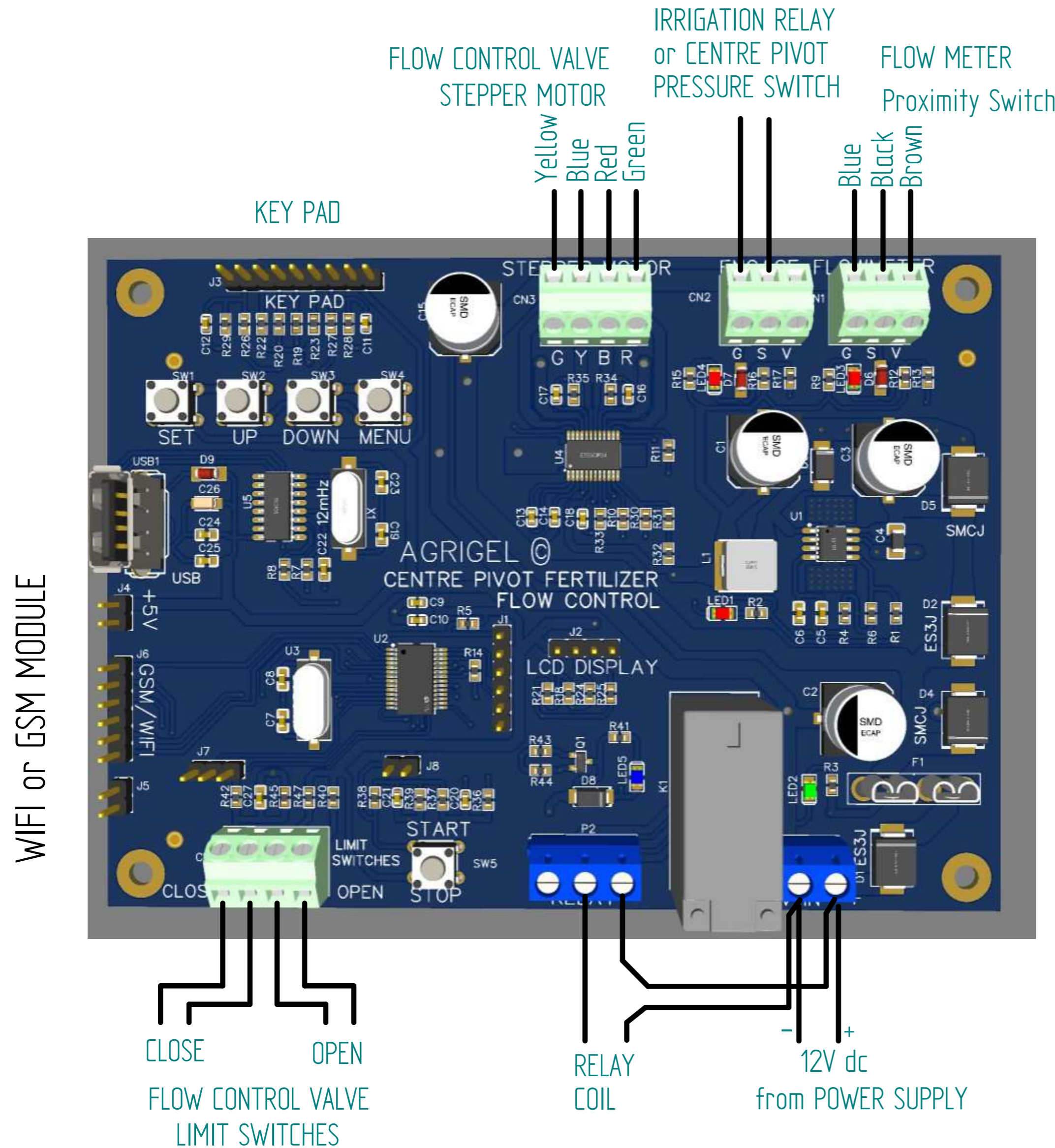
WARNING
ISOLATE THE SYSTEM
BEFORE WORKING ON IT



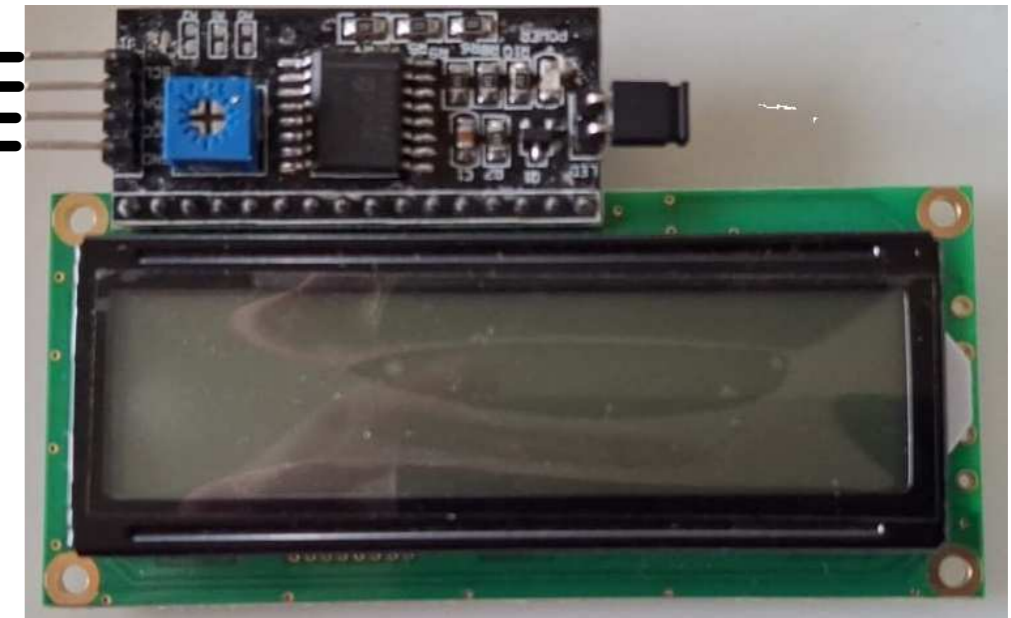
The BYPASS SWITCH can be used to run the electric motor independantly of the AGRIGEL Centre Pivot Fertiliser Flow Control PCB. It should be protected from being inadvertently switched on.

	NAME	DATE	AGRIGEL	
DRAWN	Dan	02/15/25		
APPROVED			TITLE	
MATERIAL			CPFFC WIRING DIAGRAM	
TREATMENT			SIZE	DWG NO
UNLESS OTHERWISE SPECIFIED DIMENSIONS ARE IN MILLIMETERS			A4	
1st ANGLE ANGLES ±0.1°			FILE NAME: INSTALLATION DIAGRAM.dft	
2 PL ±0.02 3 PL ±0.005			SCALE:	WEIGHT:
			SHEET 1 OF 5	

REVISION HISTORY			
REV	DESCRIPTION	DATE	APPROVED



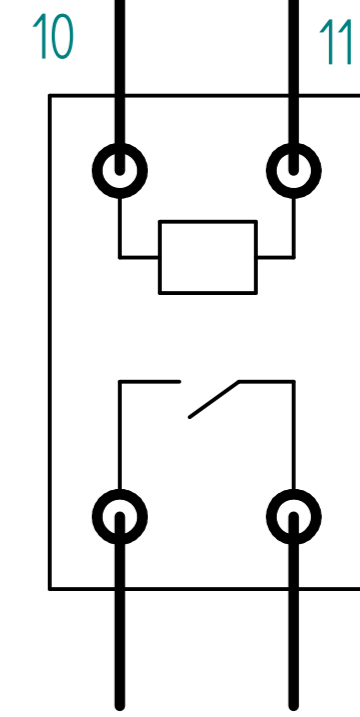
Blue
White
Red
Black



LIQUID CHRYSTAL DISPLAY

Red
Blue
White
Black

380v WATER
SUPPLY MOTOR



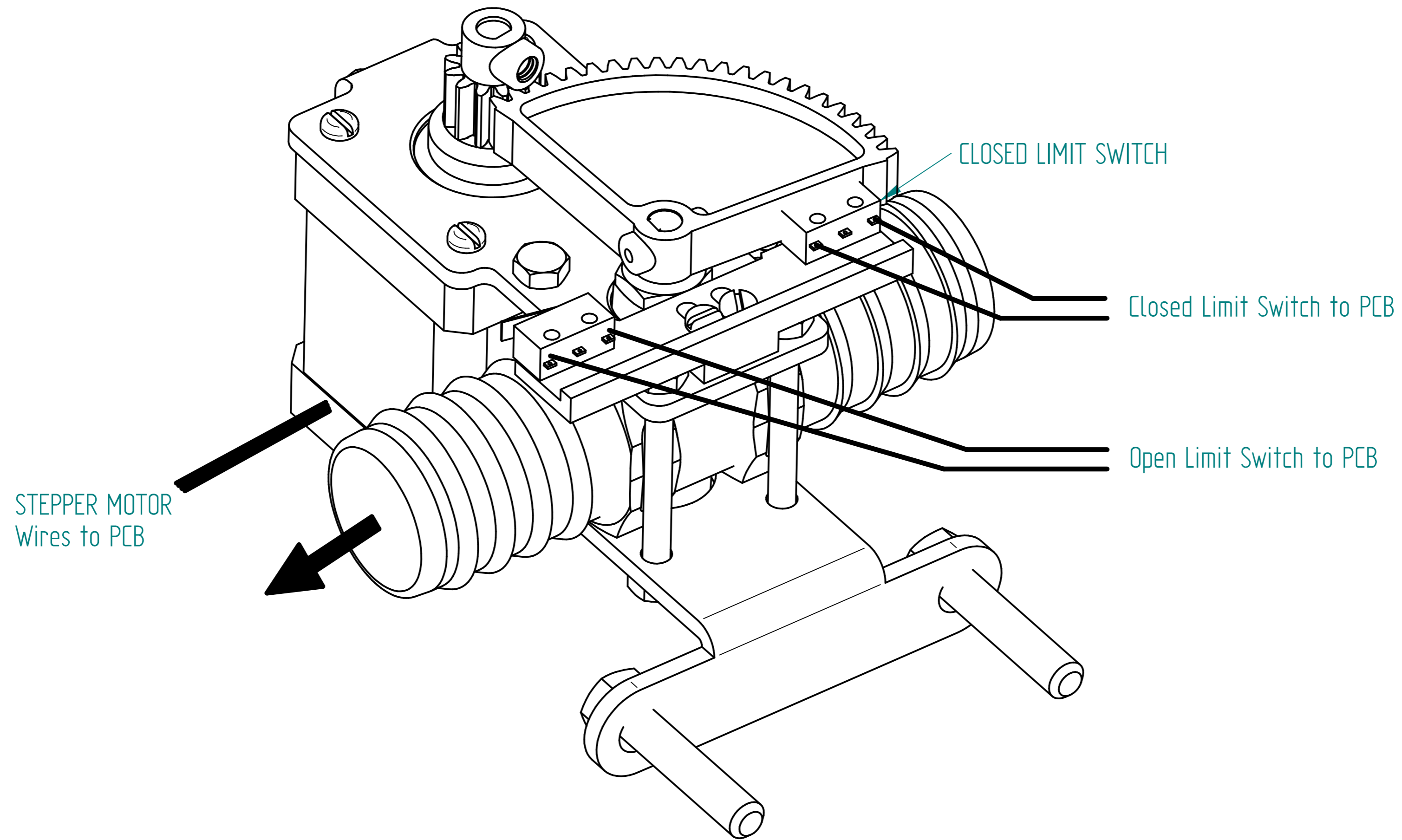
IRRIGATION RELAY
380v COIL

PCB

AGRIGEL CENTRE PIVOT FERTILISER FLOW CONTROL PCB

	NAME	DATE	AGRIGEL	
DRAWN	Dan	02/15/25		
APPROVED			TITLE	
MATERIAL			CPFFC WIRING DIAGRAM	
TREATMENT			UNLESS OTHERWISE SPECIFIED DIMENSIONS ARE IN MILLIMETERS	SIZE A4
			ANGLES ±0.1°	DWG NO
			2 PL ±0.02 3 PL ±0.005	FILE NAME: INSTALLATION DIAGRAM.dft
			SCALE:	WEIGHT:
				SHEET 2 OF 5

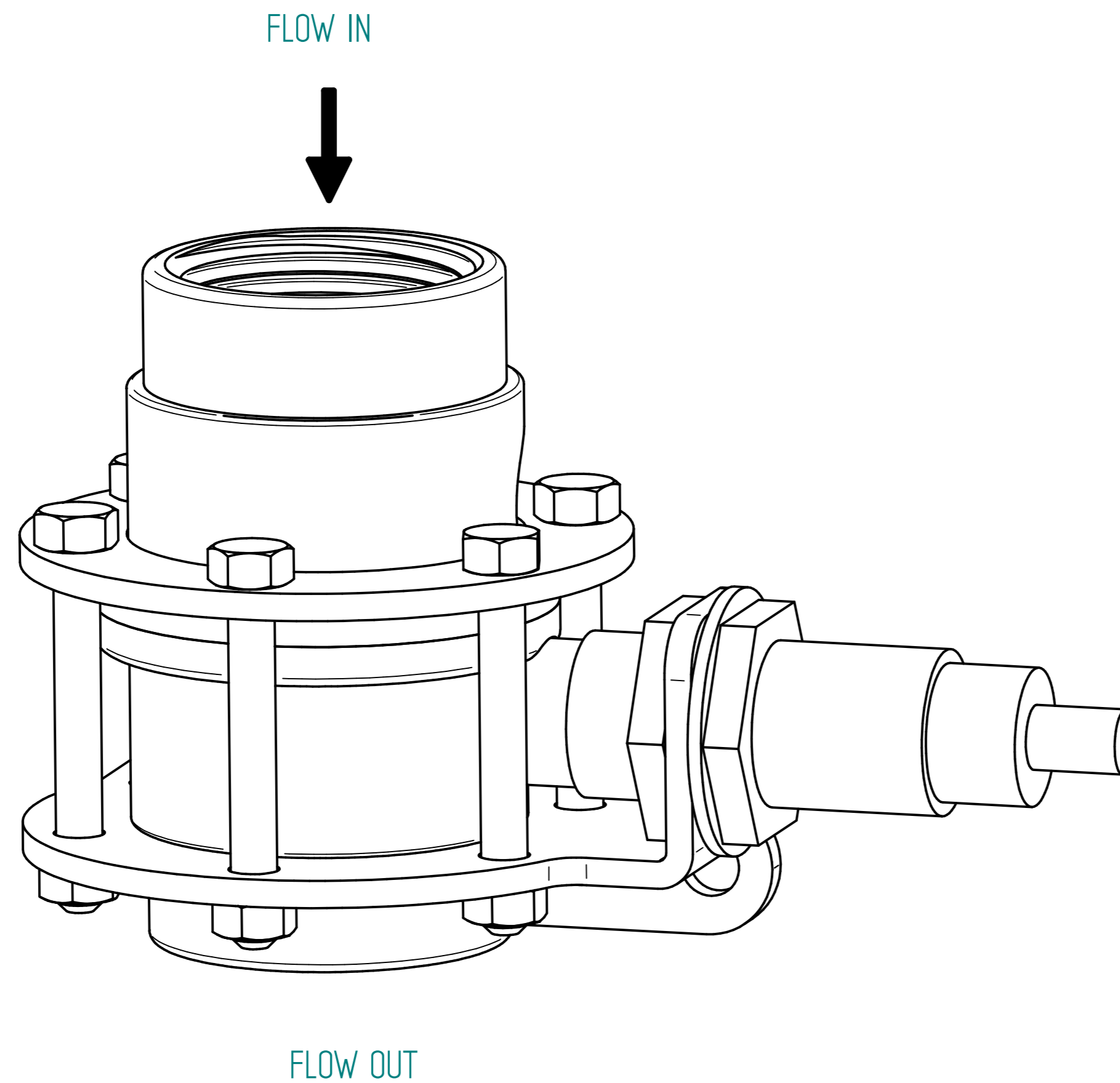
REVISION HISTORY			
REV	DESCRIPTION	DATE	APPROVED



FLOW CONTROL VALVE
Mounted Horizontally or Vertically

	NAME	DATE	AGRIGEL	
DRAWN	Dan	02/15/25		
APPROVED				
MATERIAL				
TREATMENT			TITLE	
UNLESS OTHERWISE SPECIFIED DIMENSIONS ARE IN MILLIMETERS			SIZE A4	DWG NO
1st ANGLE ANGLES ±0.1°			FILE NAME: INSTALLATION DIAGRAM.dft	REV
2 PL ±0.02	3 PL ±0.005		SCALE:	WEIGHT:
			SHEET 3 OF 5	

REVISION HISTORY			
REV	DESCRIPTION	DATE	APPROVED

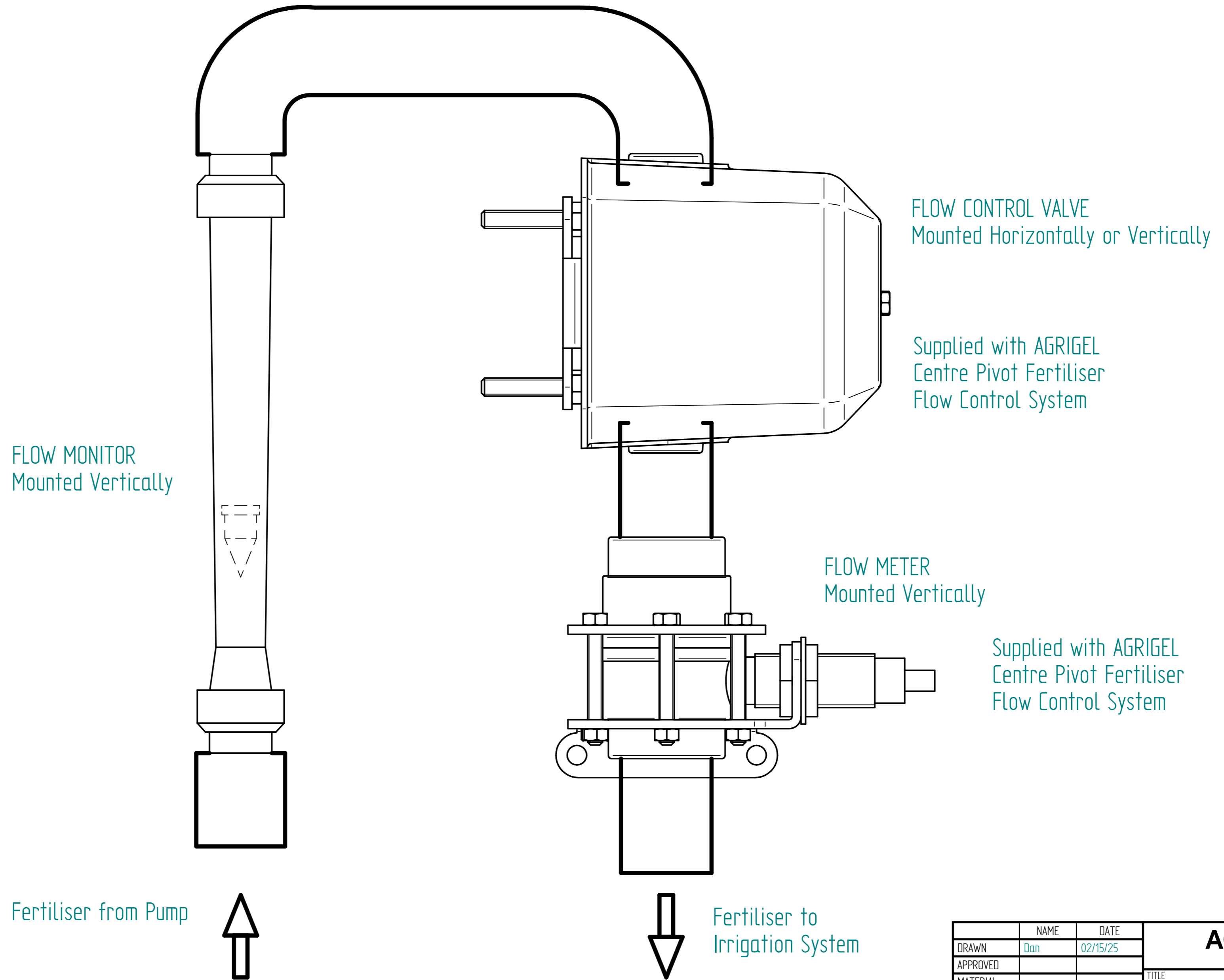


FLOW METER
Must be Installed Vertically

Proximity Switch wires to PCB

	NAME	DATE	AGRIGEL		
DRAWN	Dan	02/15/25			
APPROVED			TITLE CPFFC WIRING DIAGRAM		
MATERIAL					
TREATMENT			SIZE A4	DWG NO	REV
UNLESS OTHERWISE SPECIFIED DIMENSIONS ARE IN MILLIMETERS			FILE NAME: INSTALLATION DIAGRAM.dft		
1 st ANGLE 2 PL ±0.02 3 PL ±0.005			SCALE:	WEIGHT:	SHEET 4 OF 5

REVISION HISTORY			
REV	DESCRIPTION	DATE	APPROVED



	NAME	DATE	AGRIGEL		
DRAWN	Dan	02/15/25			
APPROVED			TITLE CPFFC WIRING DIAGRAM		
MATERIAL					
TREATMENT			SIZE A4	DWG NO	REV
UNLESS OTHERWISE SPECIFIED DIMENSIONS ARE IN MILLIMETERS			FILE NAME: INSTALLATION DIAGRAM.dft		
1 st ANGLE ANGLES ±0.1°			SCALE:	WEIGHT:	SHEET 5 OF 5
2 PL ±0.02 3 PL ±0.005					