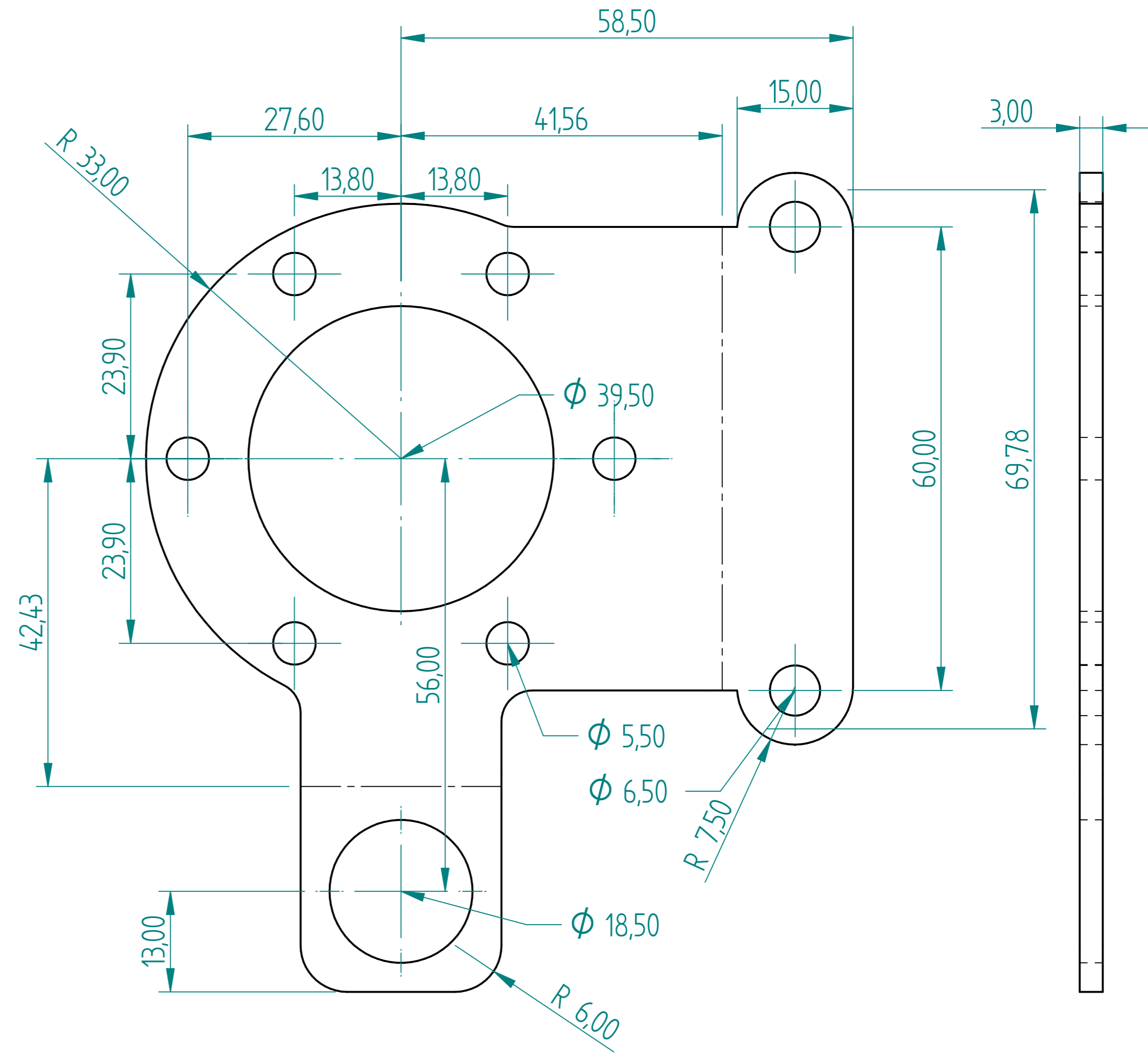
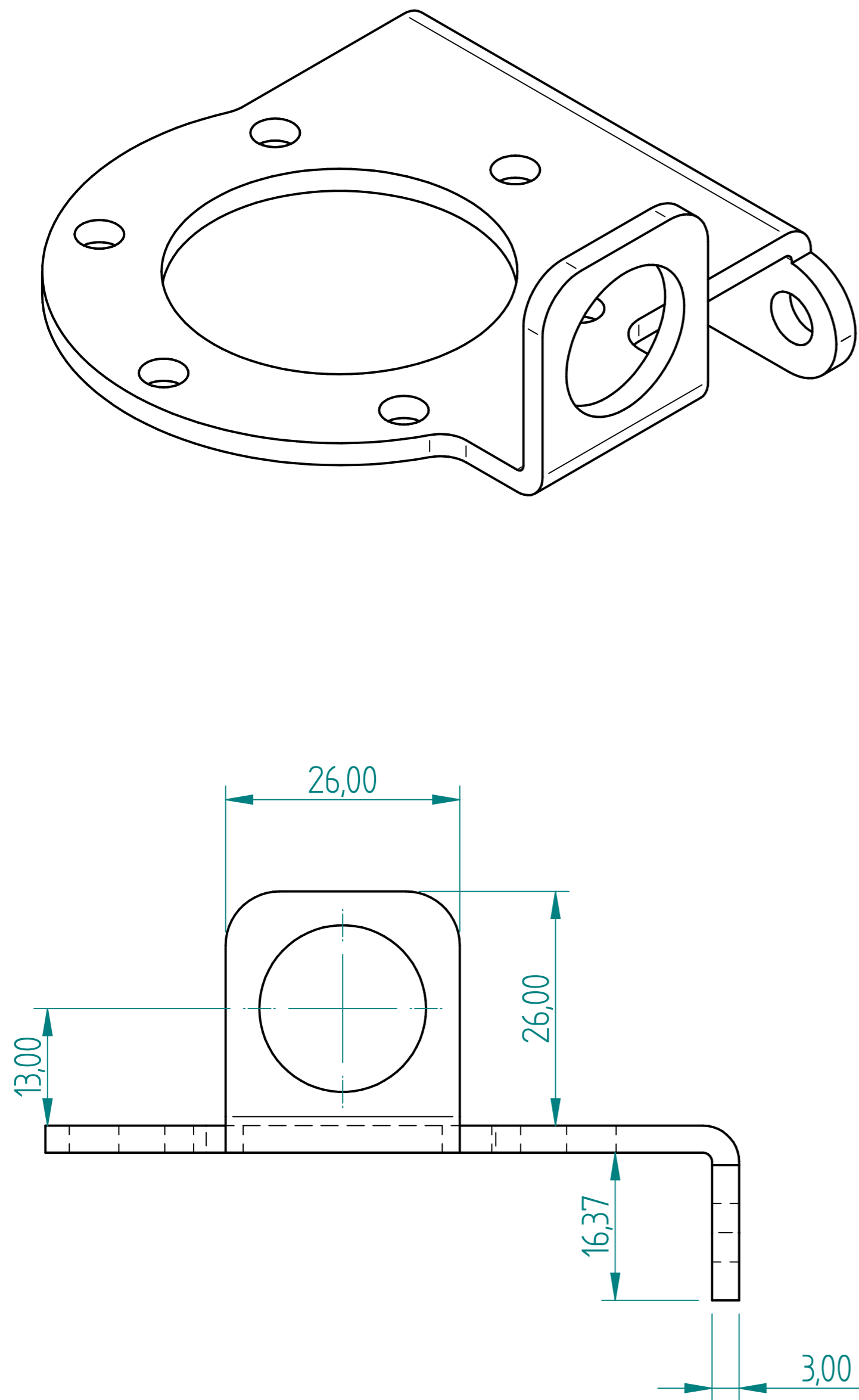


REVISION HISTORY			
REV	DESCRIPTION	DATE	APPROVED



FLOW METER MOUNTING PLATE

DRAWN	NAME	DATE	<b>AGRIGEL</b>		
APPROVED	Dan	10/11/24			
MATERIAL					
TREATMENT					
UNLESS OTHERWISE SPECIFIED DIMENSIONS ARE IN MILLIMETERS			SIZE	DWG NO	REV
1 <sup>st</sup> ANGLE			A4		
2 PL ±0.02 3 PL ±0.005			FILE NAME: Flow Meter Mounting Plate.dft		
			SCALE:	WEIGHT:	SHEET 1 OF 2

