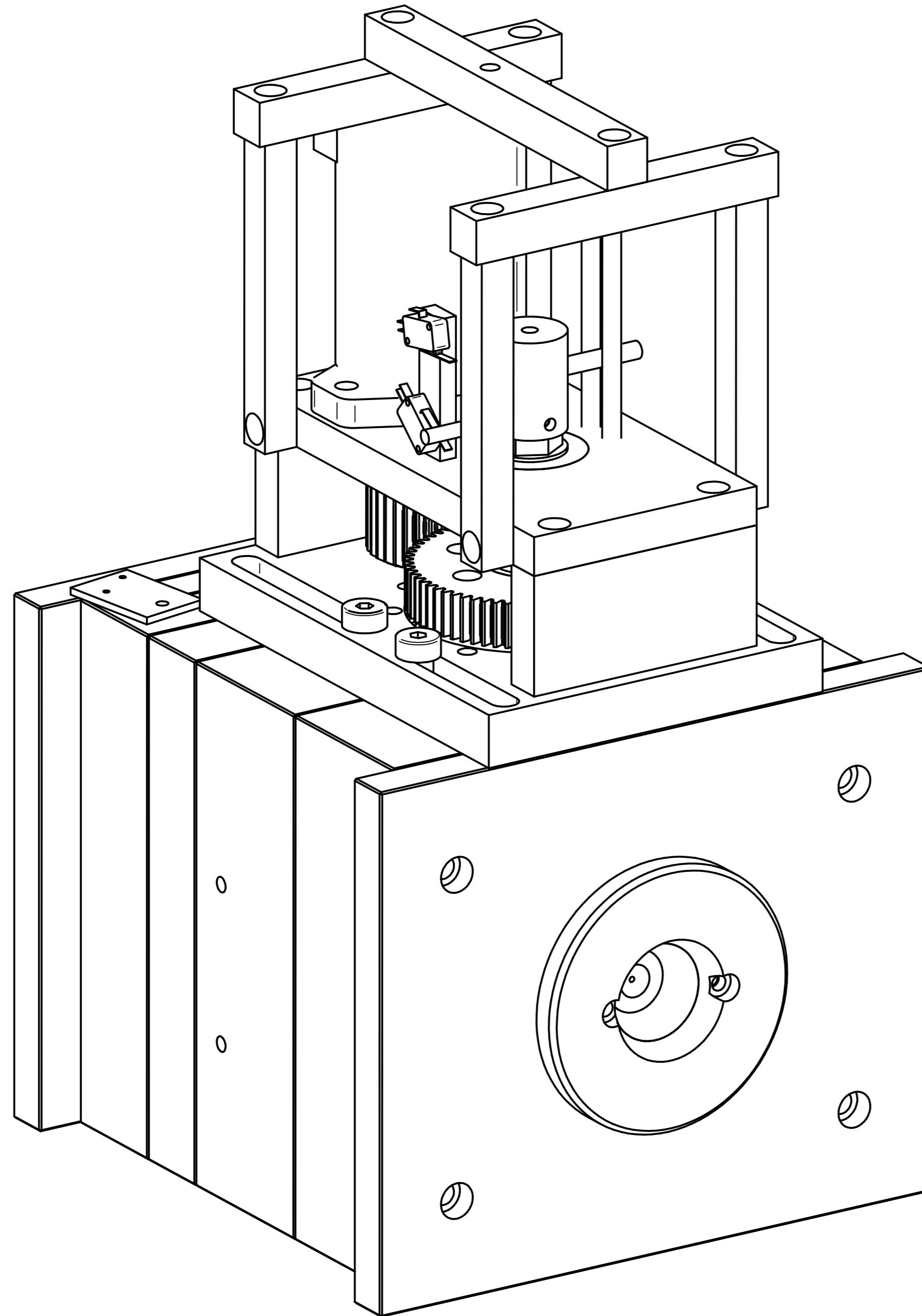
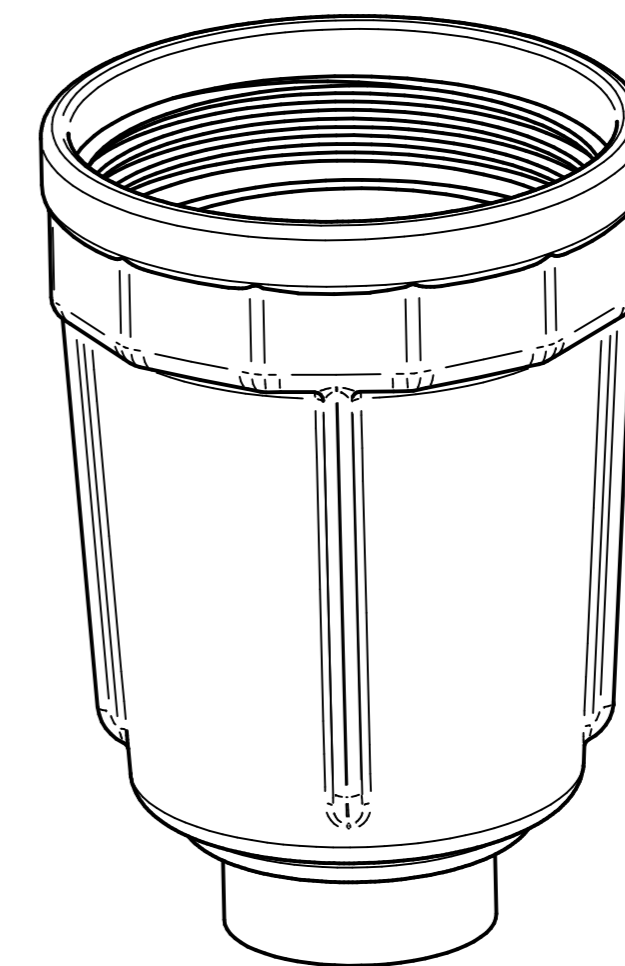


REVISION HISTORY			
REV	DESCRIPTION	DATE	APPROVED



CORE IN AFTER CLOSE  
CORE OUT AT -----



Filter Bowl  
PP Glass Filled 30% Black  
0.307 kg

Bowl Mould  
Mould Set 30 x 30  
Die plates 96, Riser 66,

	NAME	DATE	<b>AGRIGEL</b>		
DRAWN	Dan	01/18/14			
APPROVED			TITLE Bowl Mould		
MATERIAL					
TREATMENT			SIZE A4	DWG NO Bowl Mould	REV
UNLESS OTHERWISE SPECIFIED DIMENSIONS ARE IN MILLIMETERS			FILE NAME: Bowl Mould.dft		
1st ANGLE ANGLES ±0.1°			SCALE:	WEIGHT:	SHEET 1 OF 26
2 PL ±0.02 3 PL ±0.005					