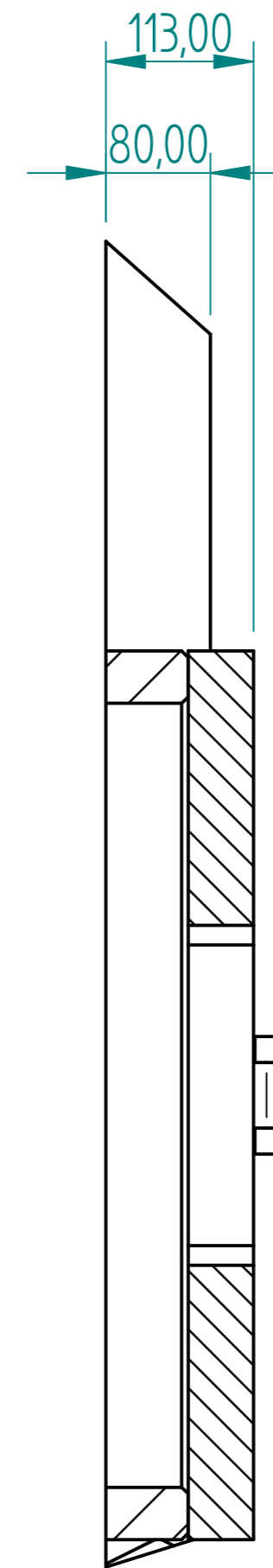
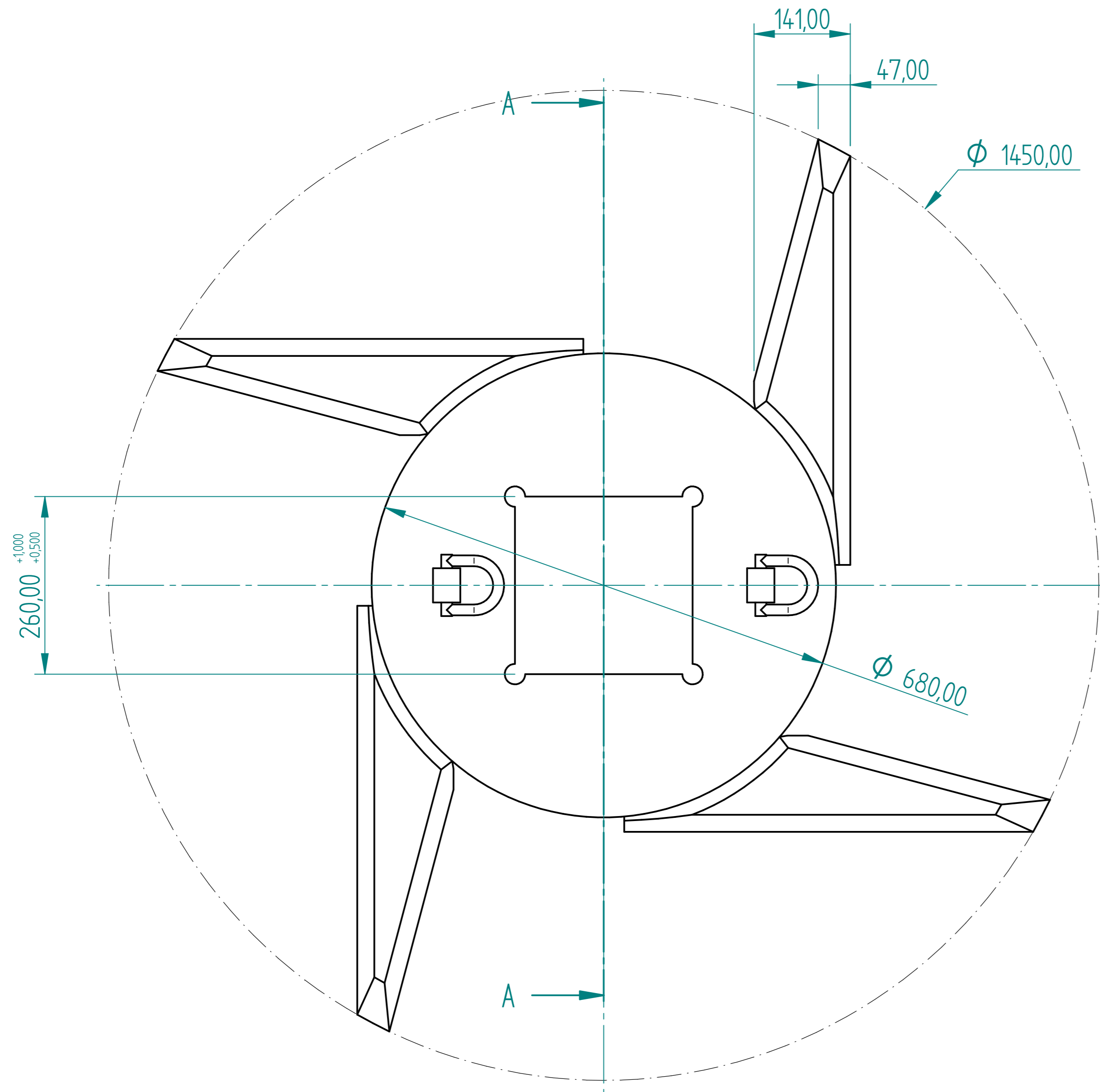


REVISION HISTORY			
REV	DESCRIPTION	DATE	APPROVED

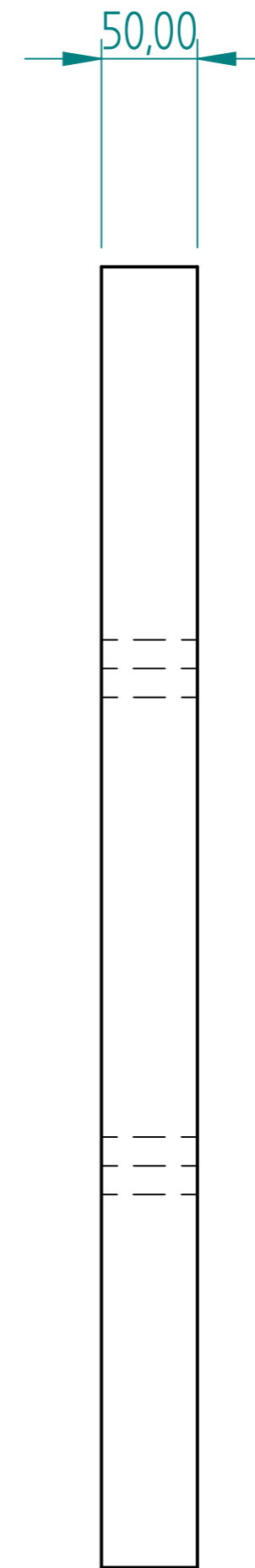
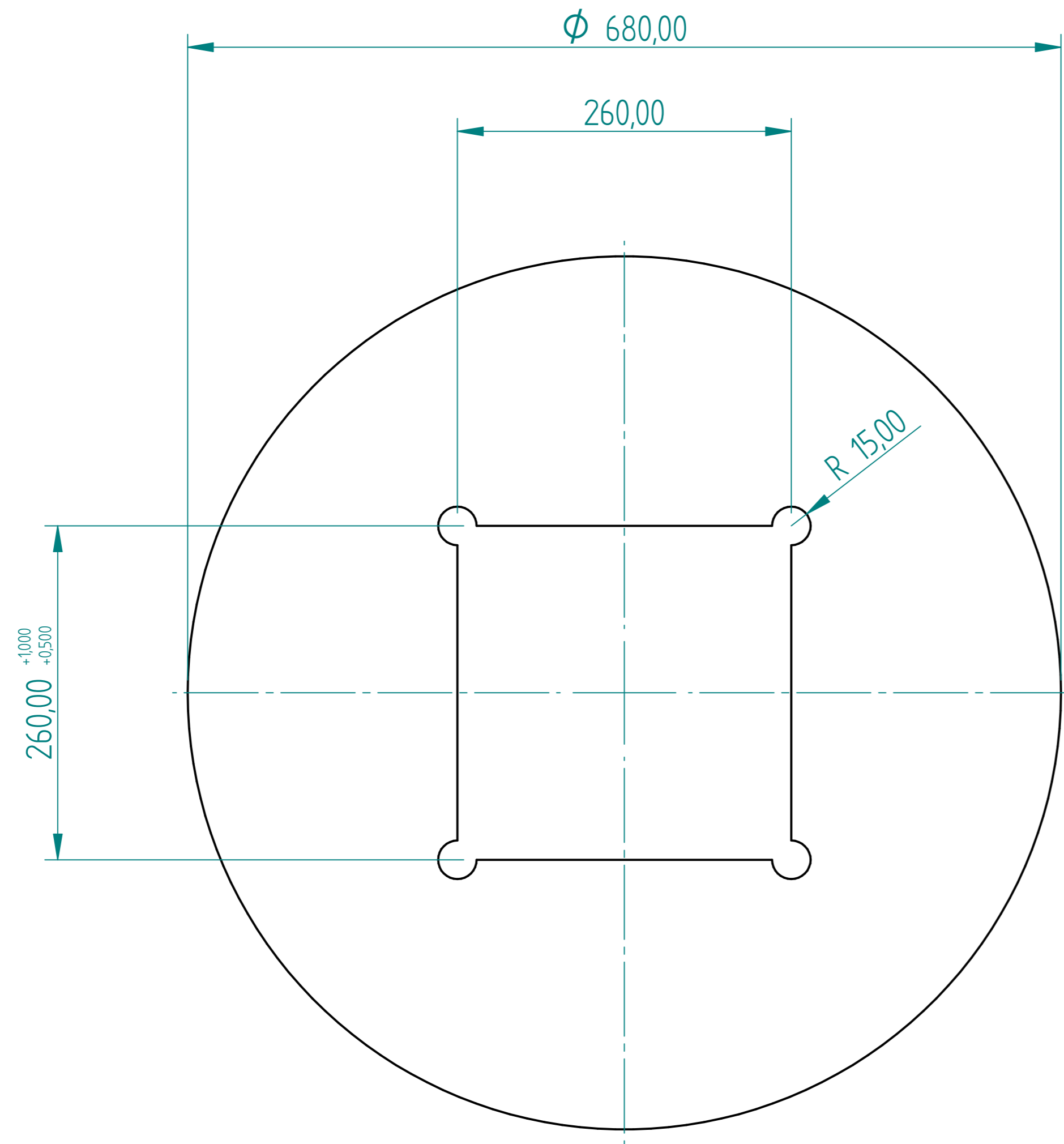


SECTION A-A

MC470 Left

	NAME	DATE	<b>PREMAC</b>		
DRAWN	Dan	11/24/21			
APPROVED			TITLE MC470 Left		
MATERIAL					
TREATMENT			SIZE A4	DWG NO	REV
UNLESS OTHERWISE SPECIFIED DIMENSIONS ARE IN MILLIMETERS ANGLES ±0.1°			FILE NAME: MC470 Left.dft		
1st ANGLE 2 PL ±0.02 3 PL ±0.005			SCALE:	WEIGHT:	SHEET 1 OF 4

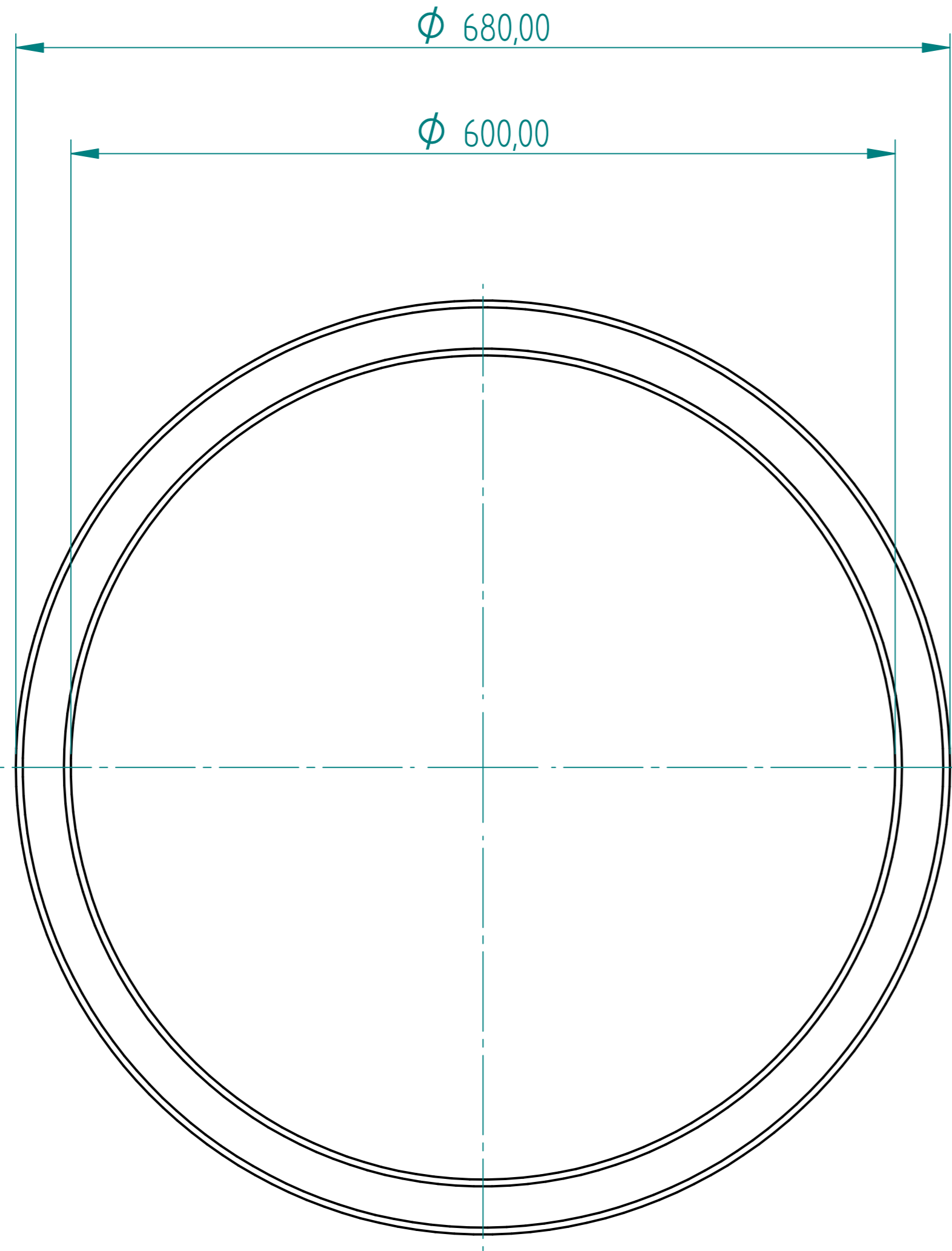
REVISION HISTORY			
REV	DESCRIPTION	DATE	APPROVED



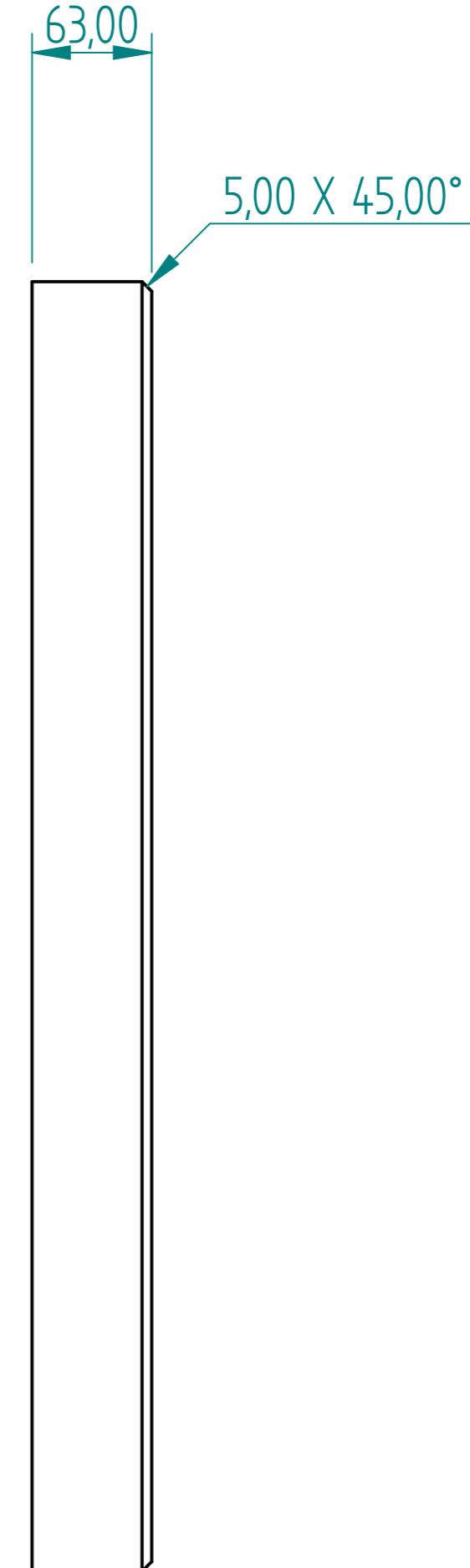
Top Plate

	NAME	DATE	<b>PREMAC</b>		
DRAWN	Dan	11/24/21			
APPROVED					
MATERIAL					
TREATMENT			TITLE MC470 Left		
UNLESS OTHERWISE SPECIFIED DIMENSIONS ARE IN MILLIMETERS			SIZE A4	DWG NO	REV
1 <sup>ST</sup> ANGLE ANGLES ±0.1°			FILE NAME: MC470 Left.dft		
2 PL ±0.02 3 PL ±0.005			SCALE:	WEIGHT:	SHEET 2 OF 4

REVISION HISTORY			
REV	DESCRIPTION	DATE	APPROVED

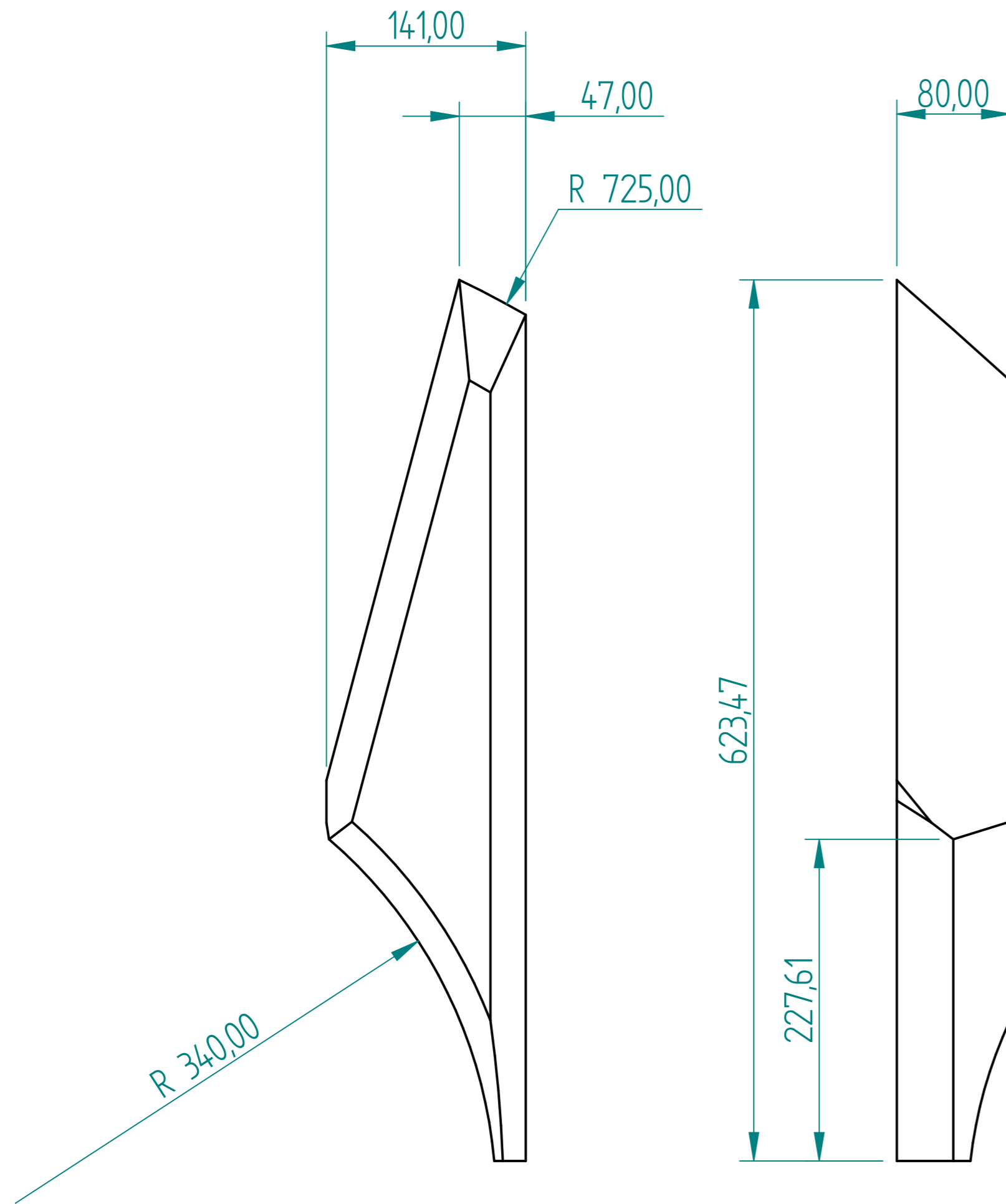


470 Ring

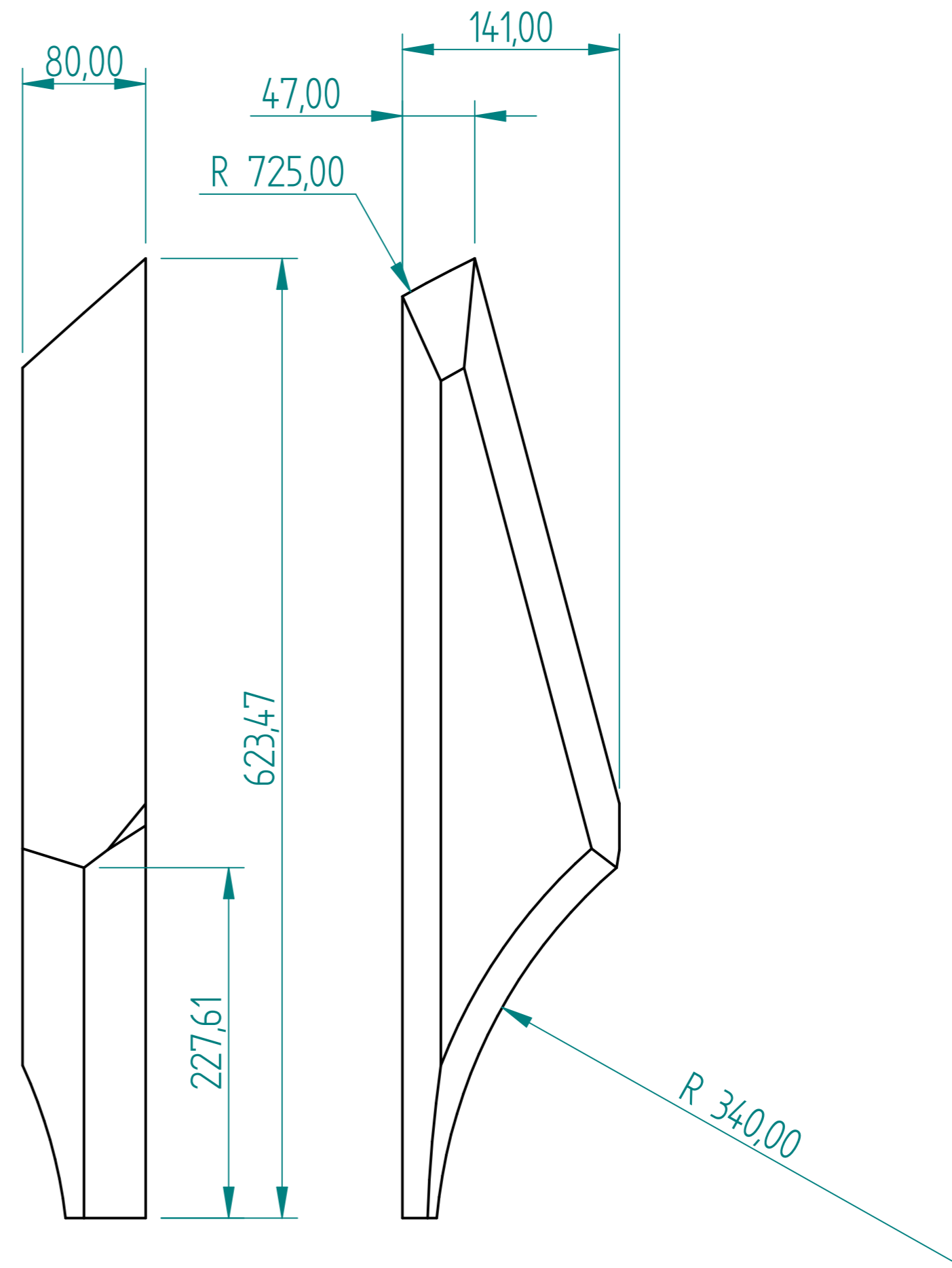
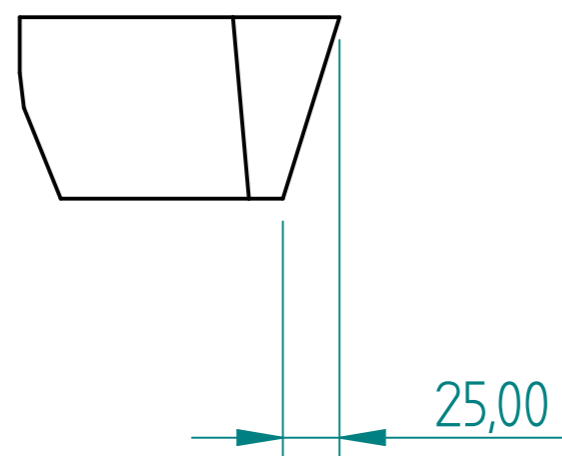


	NAME	DATE	<b>PREMAC</b>		
DRAWN	Dan	11/24/21			
APPROVED			TITLE MC470 Left		
MATERIAL					
TREATMENT			SIZE A4	DWG NO	REV
UNLESS OTHERWISE SPECIFIED DIMENSIONS ARE IN MILLIMETERS			FILE NAME: MC470 Left.dft		
1 <sup>ST</sup> ANGLE 2 PL ±0.02 3 PL ±0.005			SCALE:	WEIGHT:	SHEET 3 OF 4

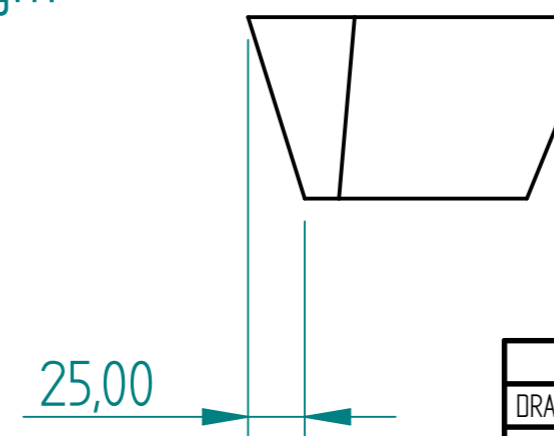
REVISION HISTORY			
REV	DESCRIPTION	DATE	APPROVED



470 Arm Left



470 Arm Right



DRAWN	NAME	DATE	<b>PREMAC</b>	
APPROVED	Dan	11/24/21		
MATERIAL			TITLE	
TREATMENT			MC470 Left	
UNLESS OTHERWISE SPECIFIED DIMENSIONS ARE IN MILLIMETERS ANGLES ±0.1°			SIZE	DWG NO
1st ANGLE			A4	REV
2 PL ±0.02 3 PL ±0.005			FILE NAME: MC470 Left.dft	
SCALE:		WEIGHT:	SHEET 4 OF 4	