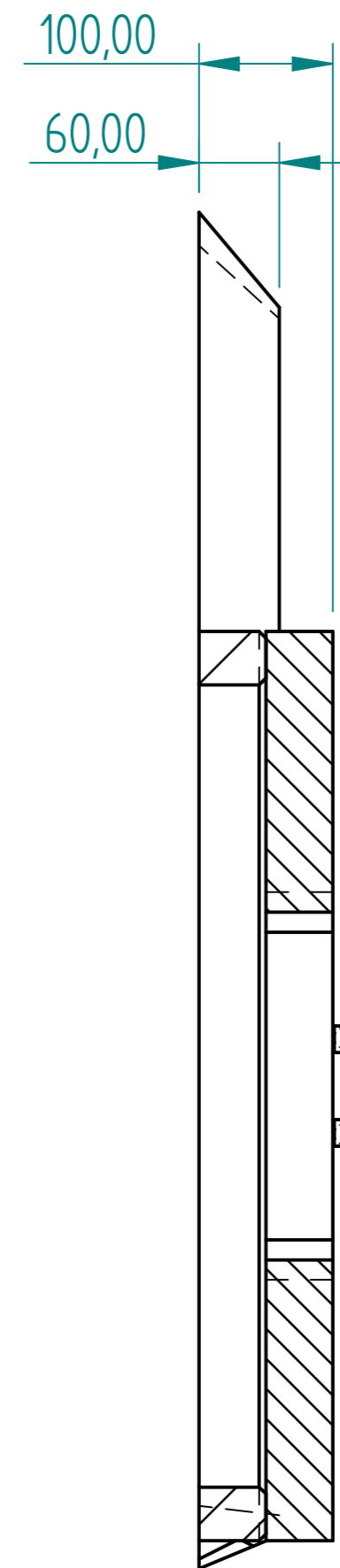
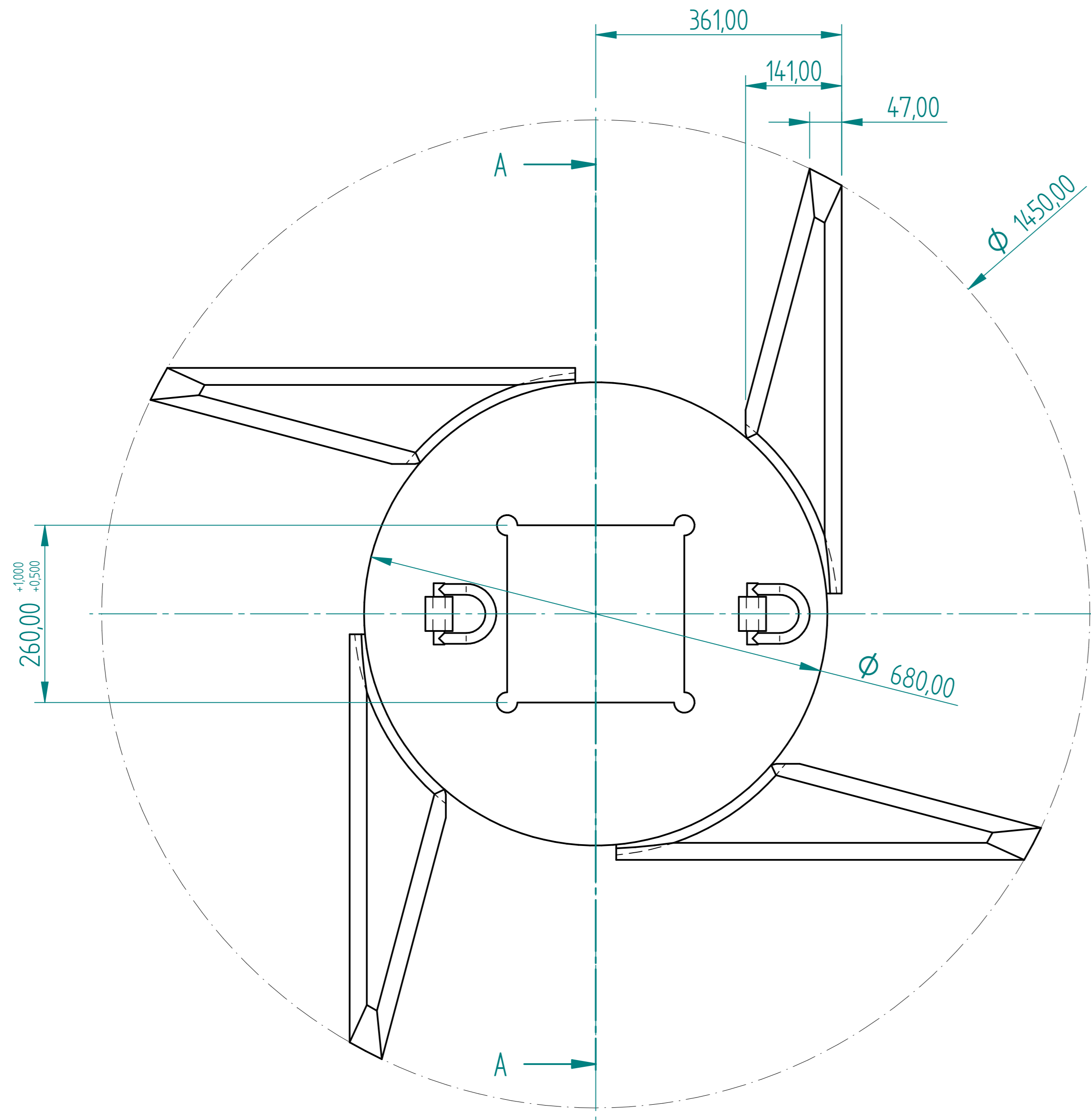


REVISION HISTORY			
REV	DESCRIPTION	DATE	APPROVED

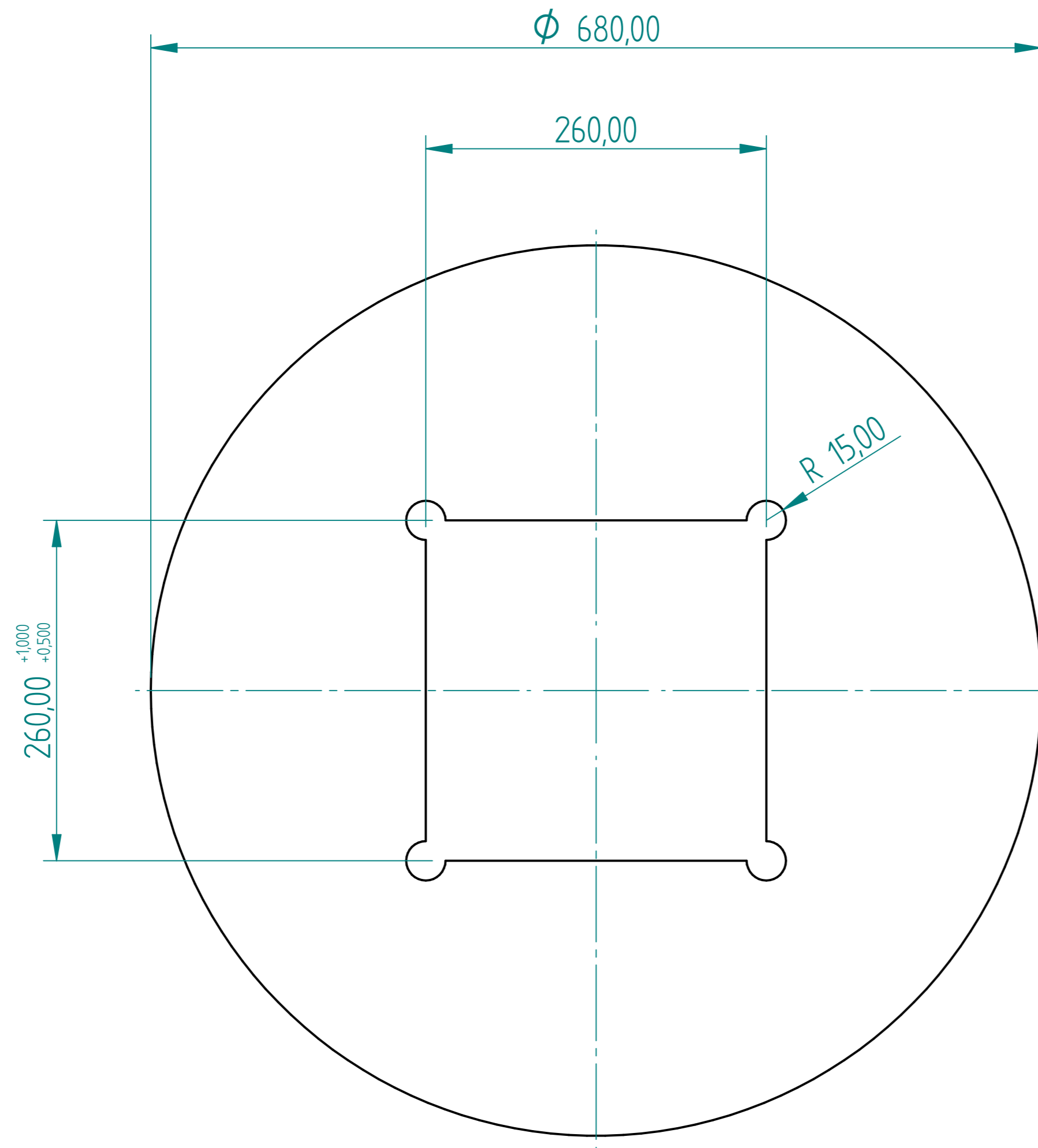


SECTION A-A

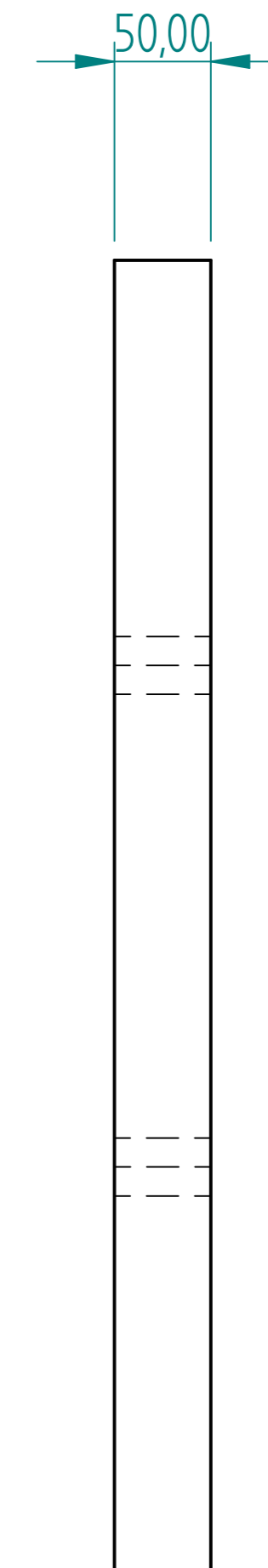
MC430 Left

	NAME	DATE	PREMAC		
DRAWN	Dan	11/24/21			
APPROVED			TITLE MC430 Left		
MATERIAL					
TREATMENT			SIZE A4	DWG NO	REV
UNLESS OTHERWISE SPECIFIED DIMENSIONS ARE IN MILLIMETERS ANGLES ±0.1°			FILE NAME: MC430 Left.dft		
1st ANGLE 2 PL ±0.02 3 PL ±0.005			SCALE:	WEIGHT:	SHEET 1 OF 4

REVISION HISTORY			
REV	DESCRIPTION	DATE	APPROVED

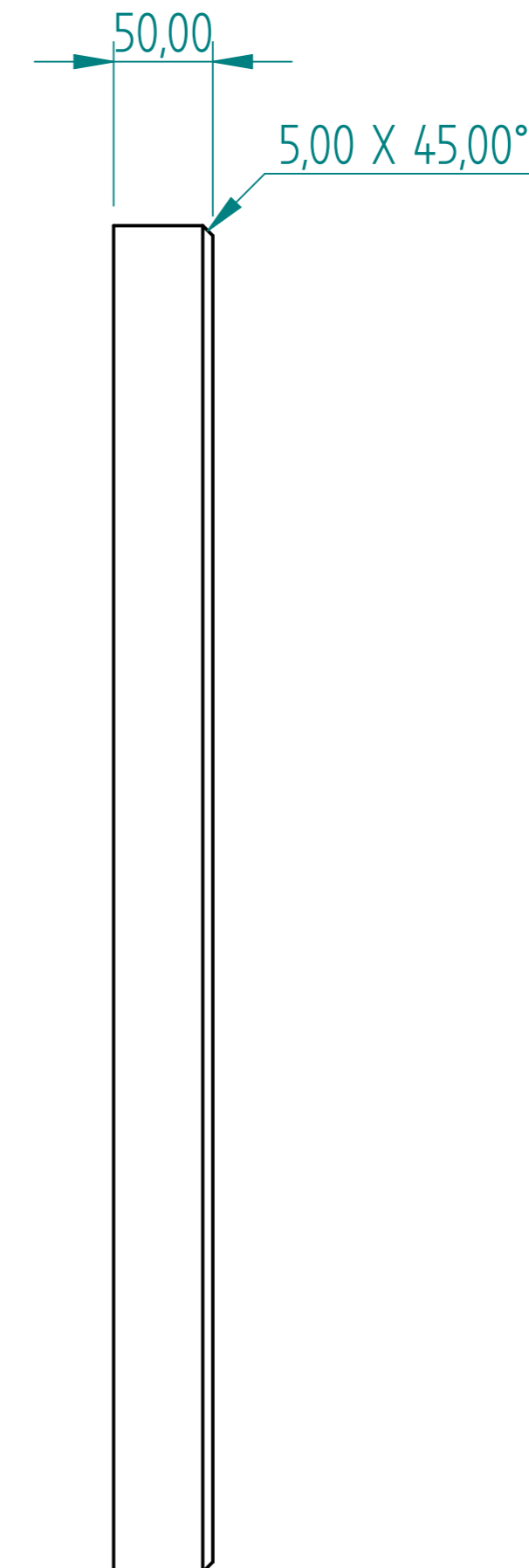
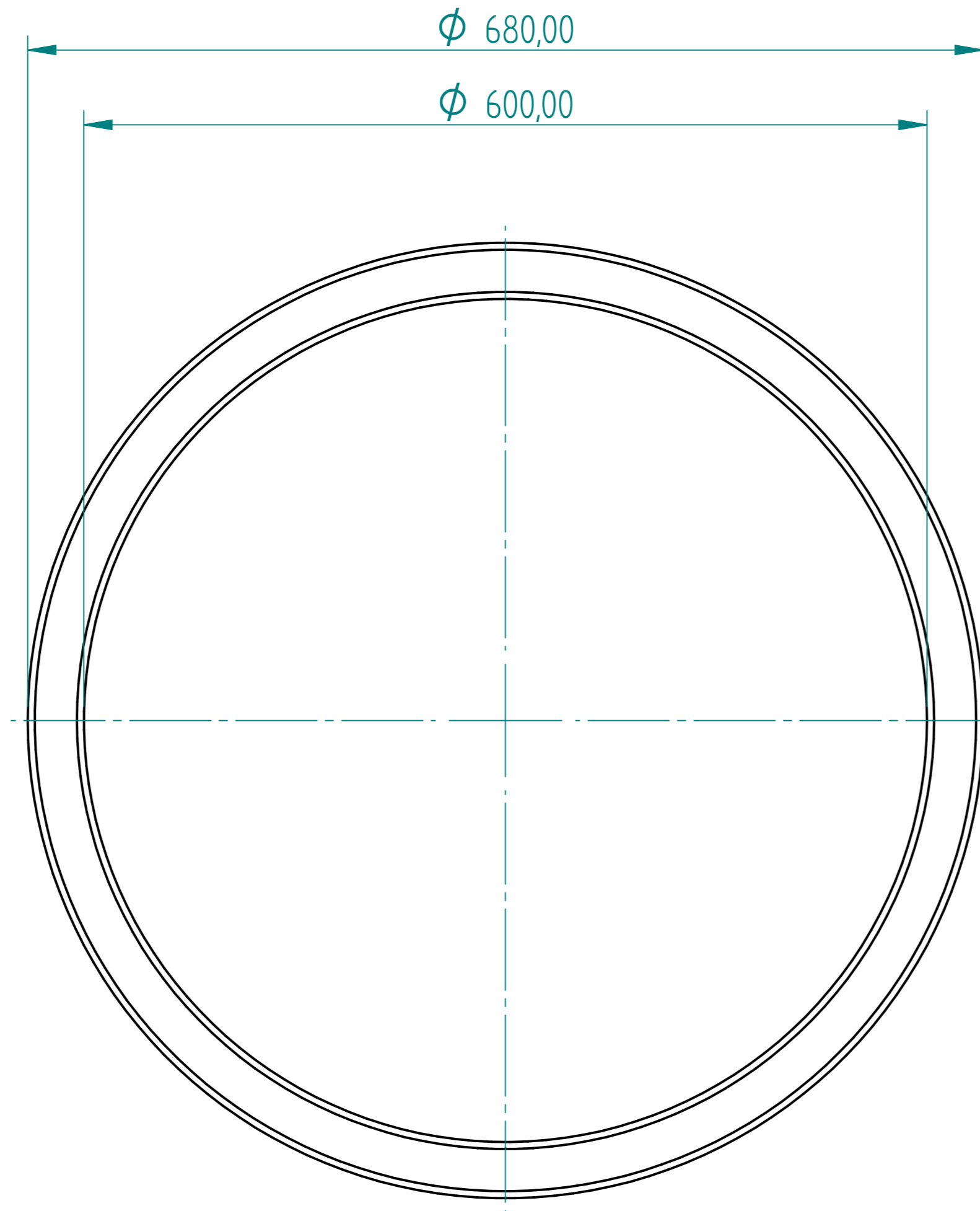


Top Plate



	NAME	DATE	PREMAC		
DRAWN	Dan	11/24/21			
APPROVED					
MATERIAL					
TREATMENT			TITLE MC430 Left		
UNLESS OTHERWISE SPECIFIED DIMENSIONS ARE IN MILLIMETERS			SIZE A4	DWG NO	REV
1st ANGLE ANGLES ±0.1°			FILE NAME: MC430 Left.dft		
2 PL ±0.02 3 PL ±0.005			SCALE:	WEIGHT:	SHEET 2 OF 4

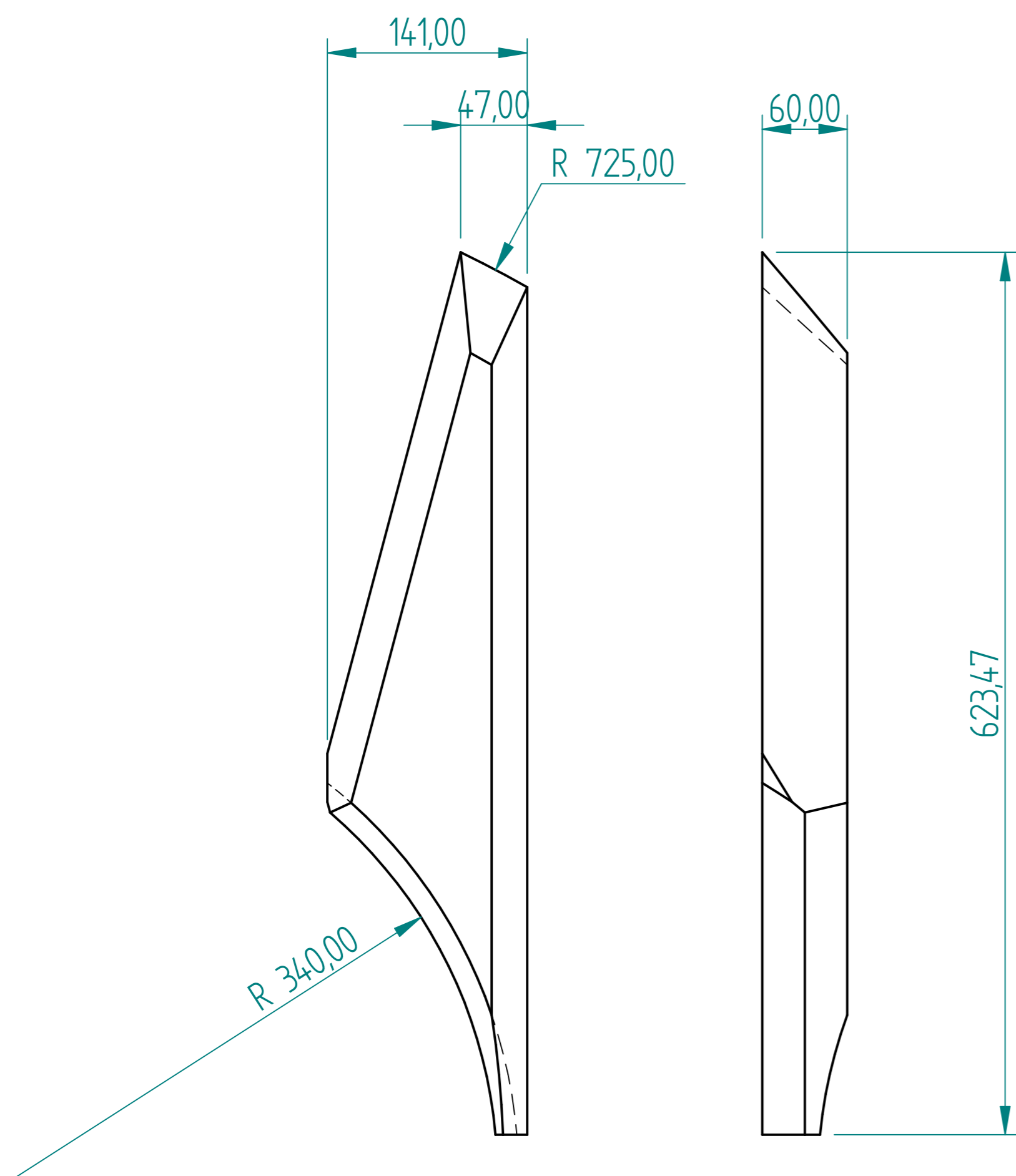
REVISION HISTORY			
REV	DESCRIPTION	DATE	APPROVED



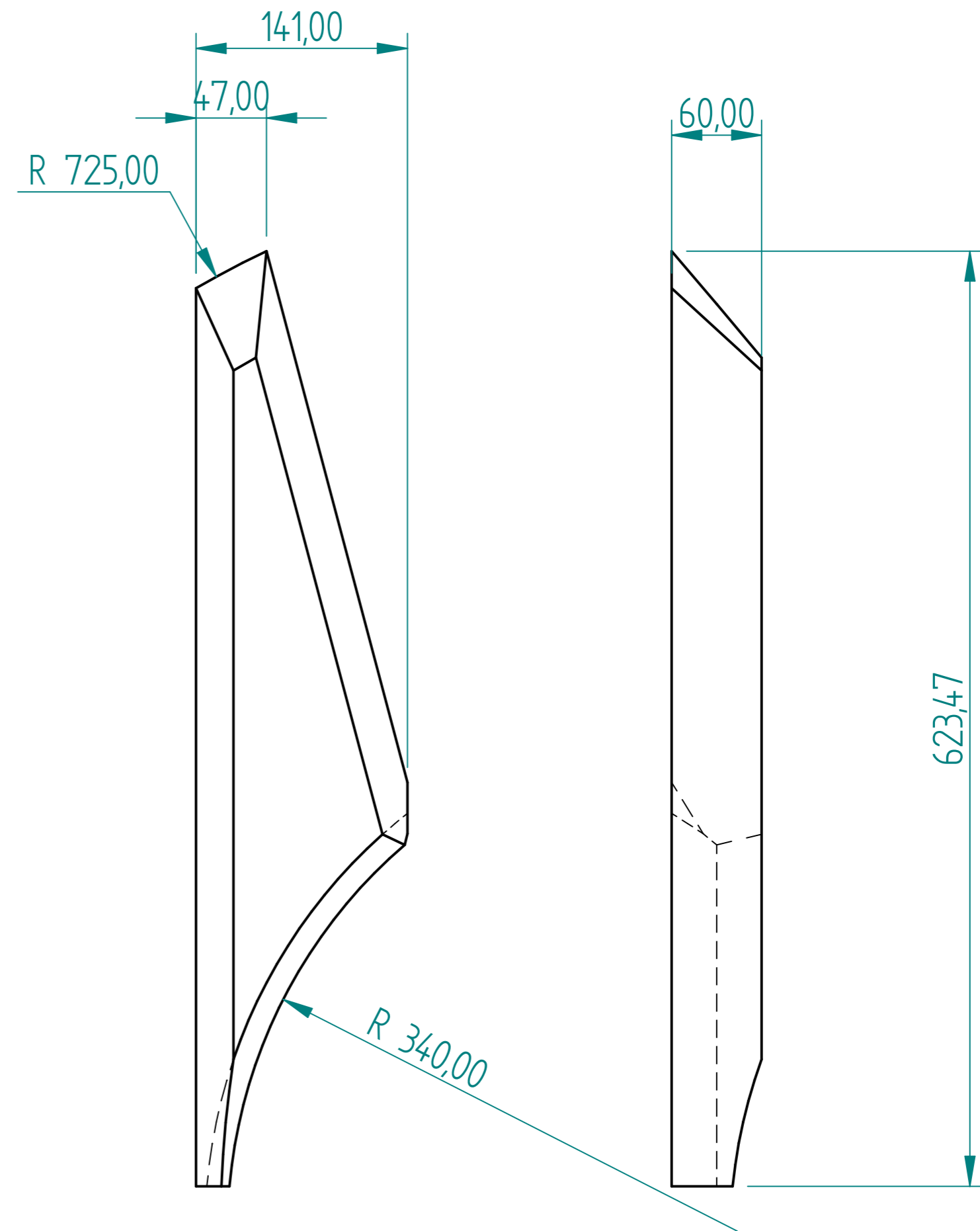
430 Ring

	NAME	DATE	PREMAC	
DRAWN	Dan	11/24/21		
APPROVED				
MATERIAL				
TREATMENT			TITLE MC430 Left	
UNLESS OTHERWISE SPECIFIED DIMENSIONS ARE IN MILLIMETERS			SIZE A4	DWG NO
1st ANGLE ANGLES $\pm 0.1^\circ$			FILE NAME: MC430 Left.dft	
2 PL ± 0.02 3 PL ± 0.005			SCALE:	WEIGHT:
			SHEET 3 OF 4	

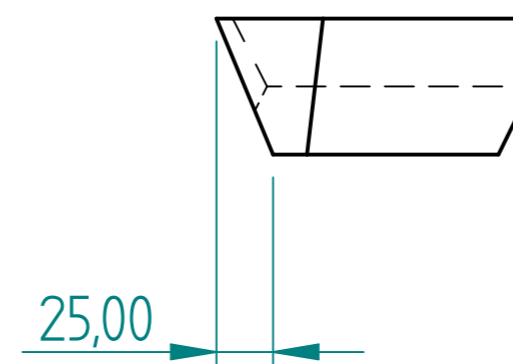
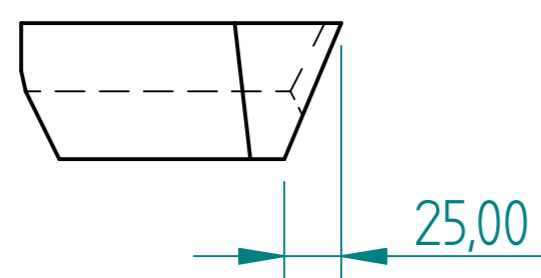
REVISION HISTORY			
REV	DESCRIPTION	DATE	APPROVED



430 Arm Left



430 Arm Right



DRAWN	NAME	DATE	PREMAC	
APPROVED	Dan	11/24/21		
MATERIAL			TITLE	
TREATMENT			MC430 Left	
UNLESS OTHERWISE SPECIFIED DIMENSIONS ARE IN MILLIMETERS ANGLES ±0.1°			SIZE A4	DWG NO
1st ANGLE 2 PL ±0.02 3 PL ±0.005			FILE NAME: MC430 Left.dft	REV
SCALE:		WEIGHT:	SHEET 4 OF 4	