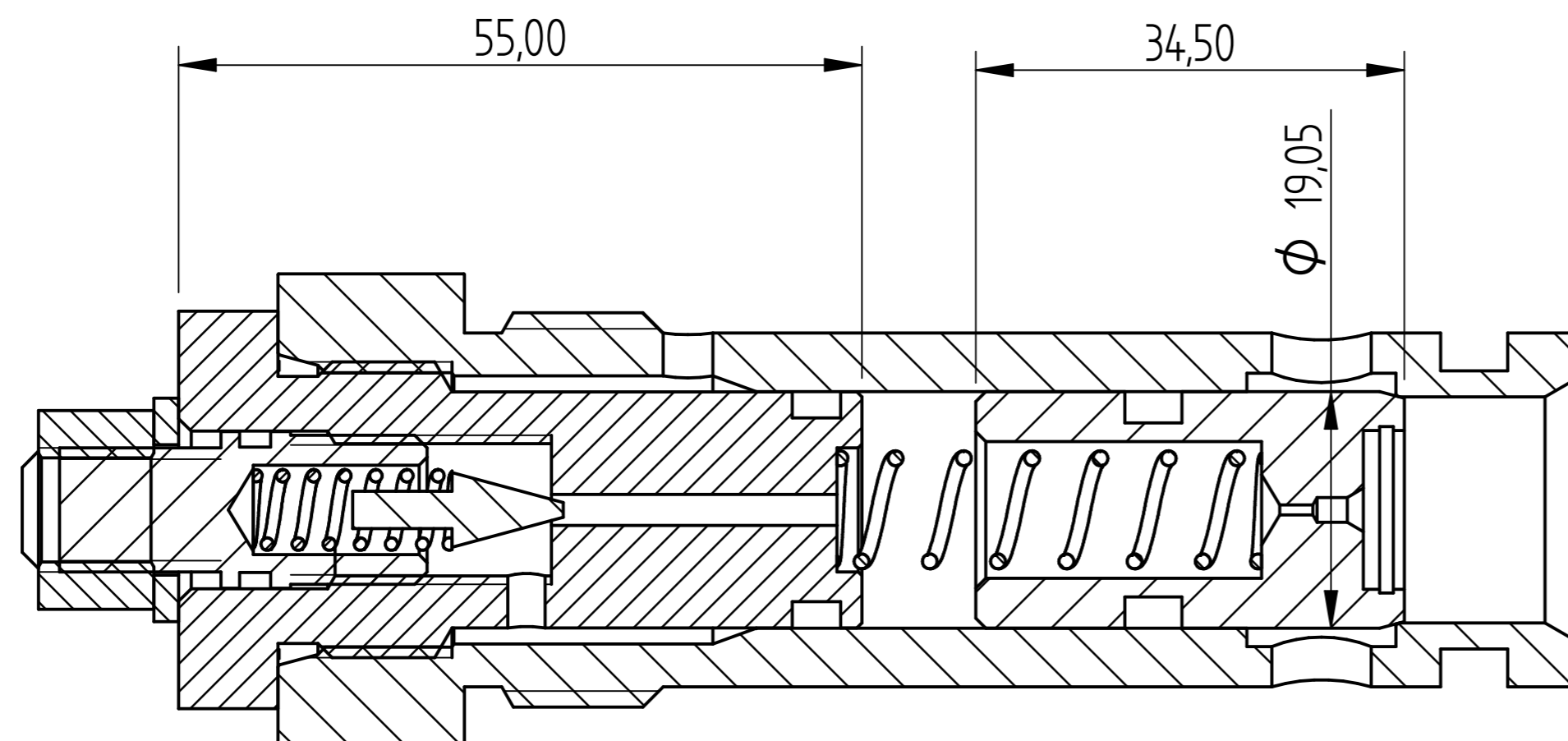
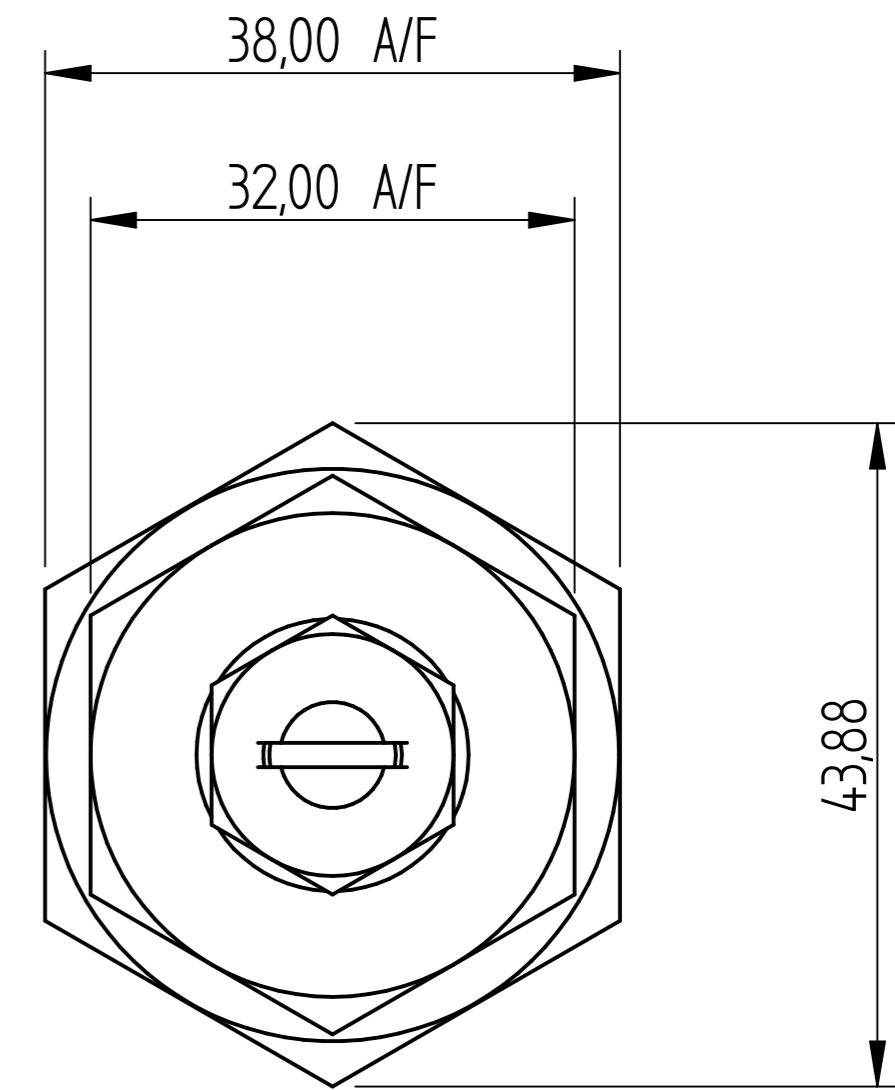
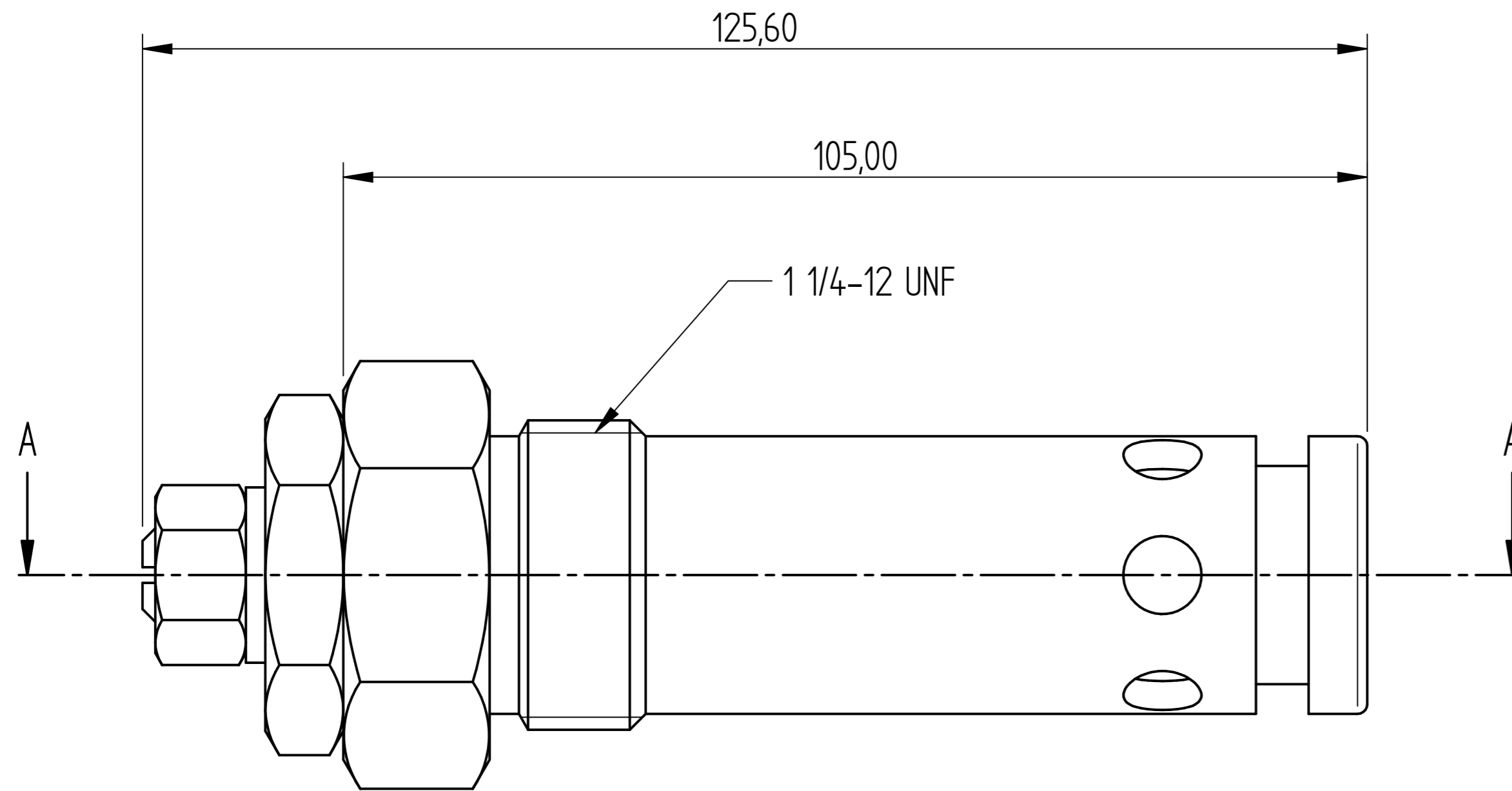


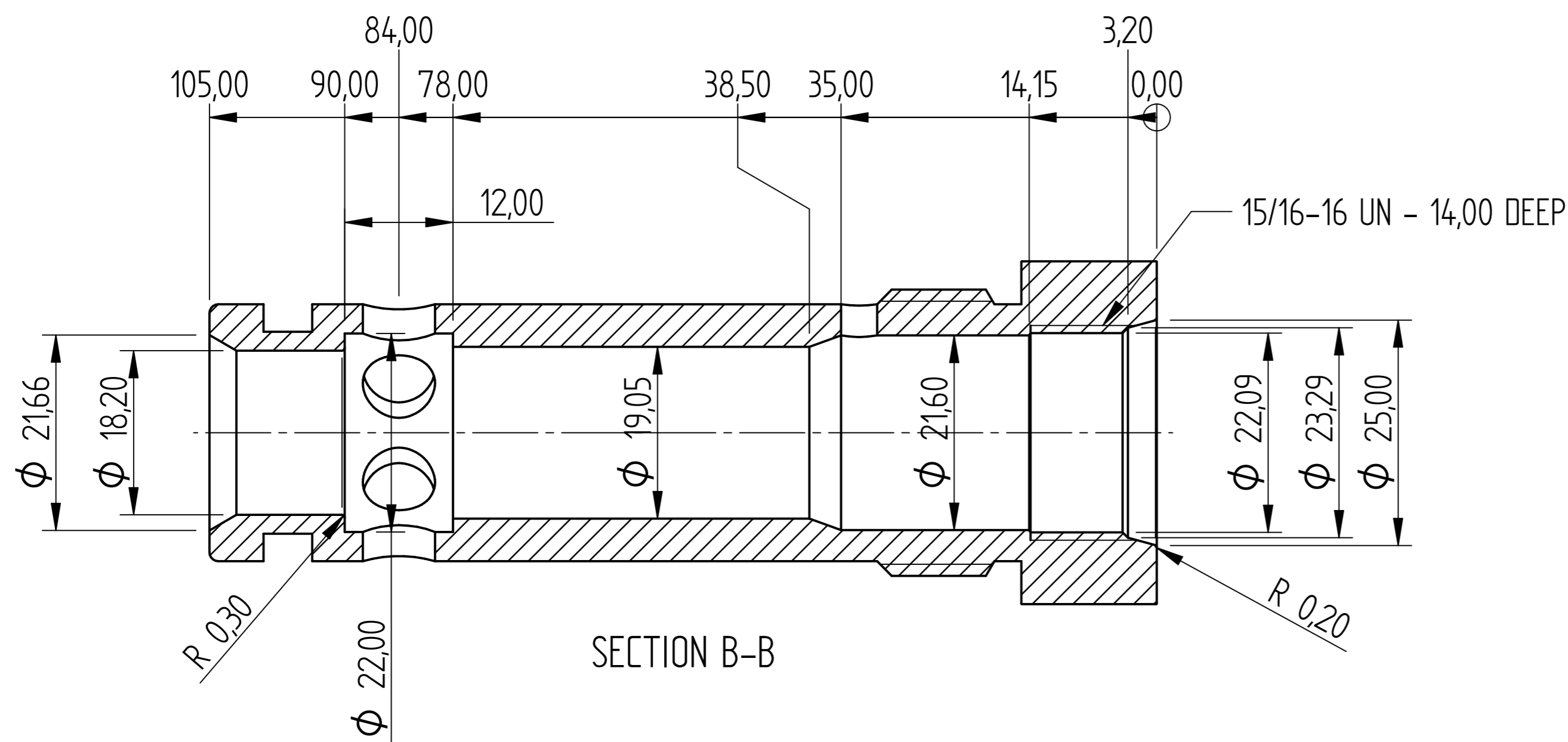
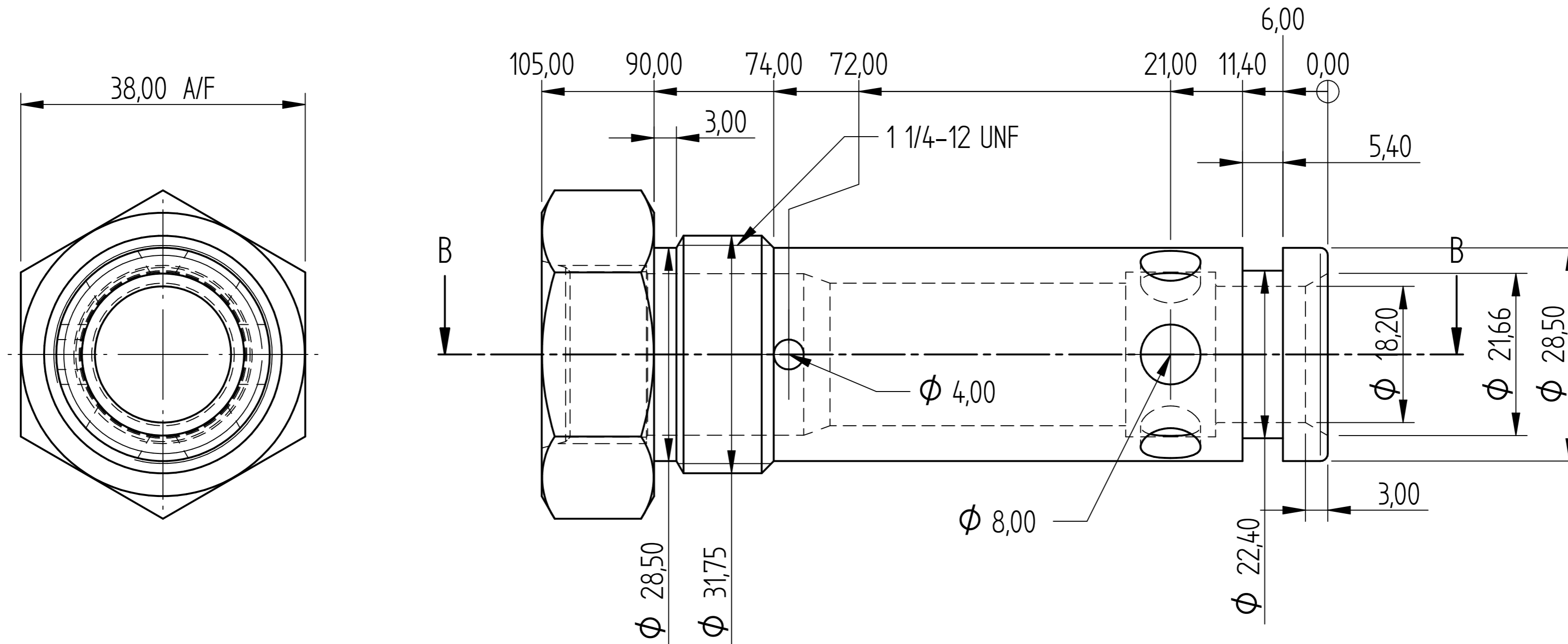
REVISION HISTORY			
REV	DESCRIPTION	DATE	APPROVED



SECTION A-A

	NAME	DATE	PREMAC		
DRAWN	DG	01/29/14			
APPROVED					
MATERIAL					
TREATMENT			TITLE		
UNLESS OTHERWISE SPECIFIED DIMENSIONS ARE IN MILLIMETERS			SIZE	DWG NO	REV
ANGLES $\pm 0.1^\circ$			A4	V200 MR	
1 ST ANGLE			FILE NAME: Main Relief.dft		
2 PL ± 0.02 3 PL ± 0.005			SCALE:	WEIGHT:	SHEET 1 OF 5

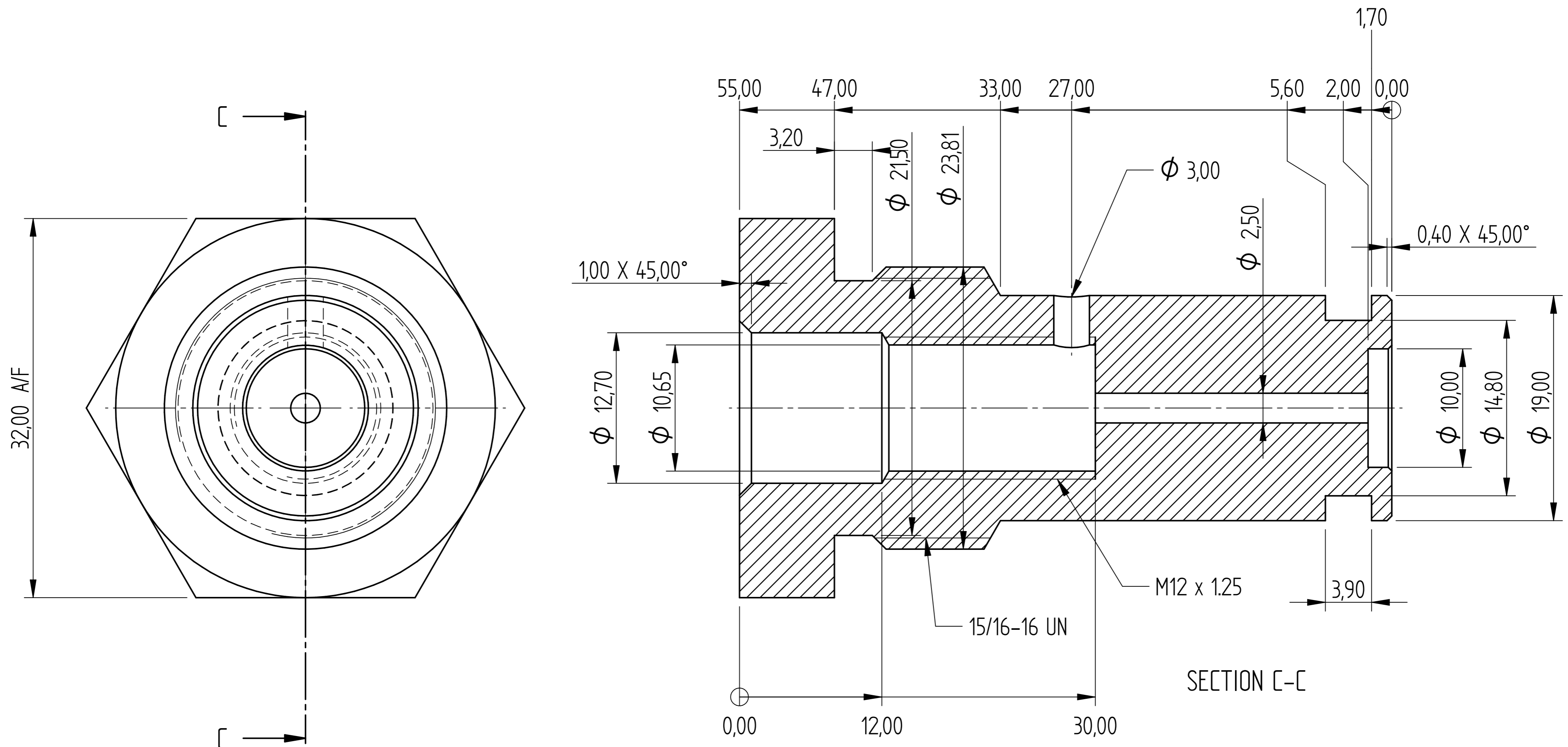
REVISION HISTORY			
REV	DESCRIPTION	DATE	APPROVED



V200 MAIN RELIEF HOUSING

DRAWN	NAME	DATE	PREMAC	
APPROVED	DG	01/29/14		
MATERIAL			TITLE	
TREATMENT			V200 Main Relief	
UNLESS OTHERWISE SPECIFIED DIMENSIONS ARE IN MILLIMETERS ANGLES ±0.1°			SIZE A4	DWG NO V200 MR
1st ANGLE			FILE NAME: Main Relief.dft	REV
2 PL ±0.02 3 PL ±0.005			SCALE:	WEIGHT: SHEET 2 OF 5

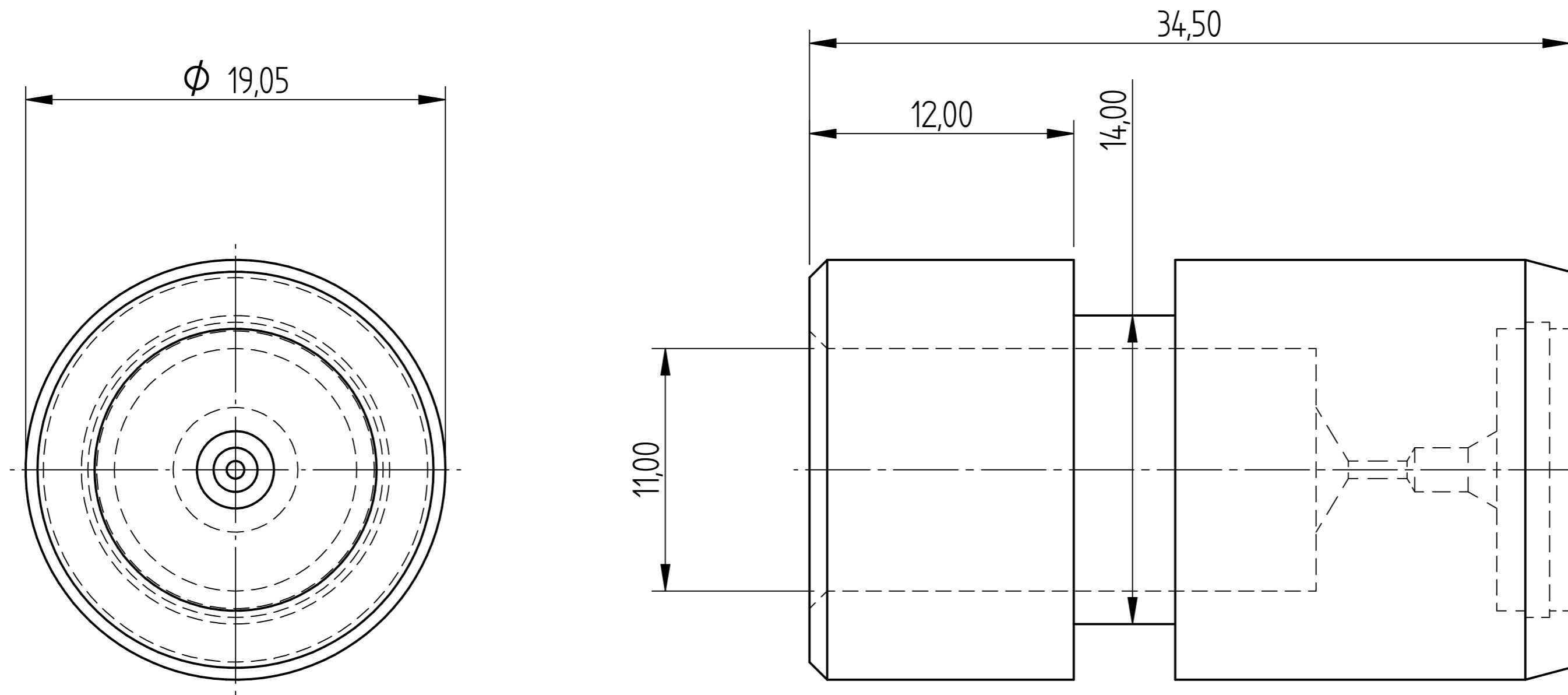
REVISION HISTORY			
REV	DESCRIPTION	DATE	APPROVED



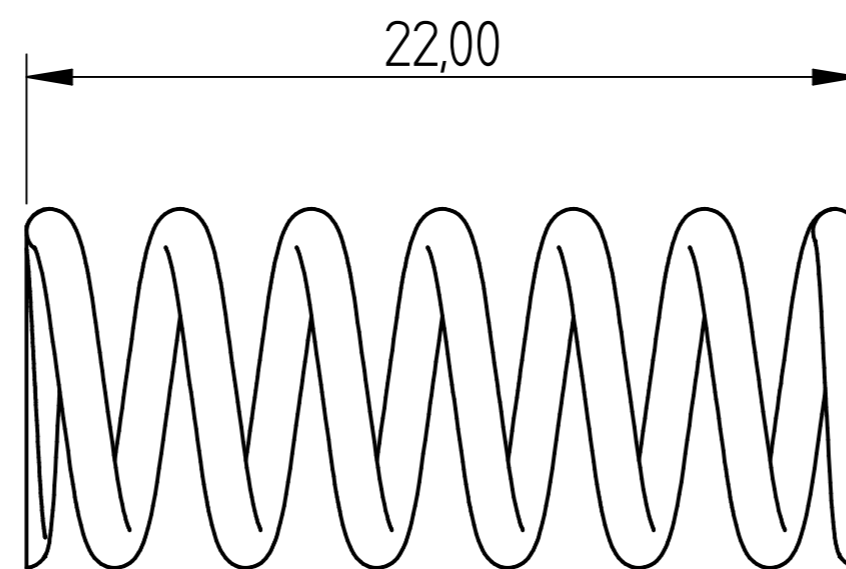
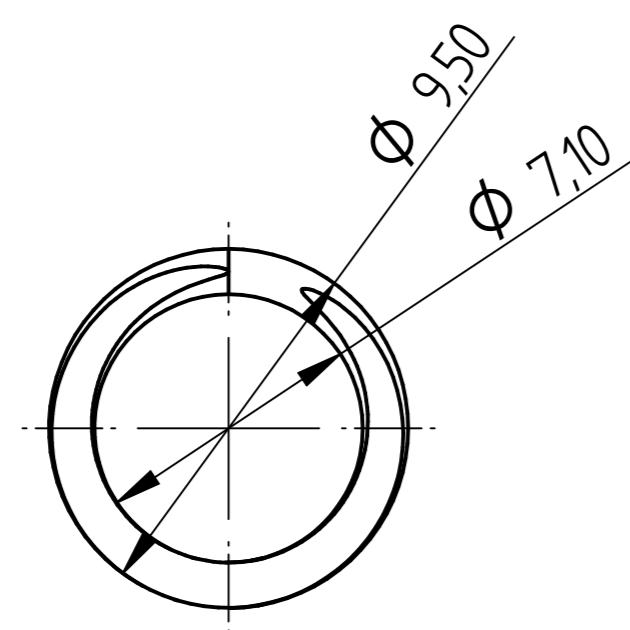
MAIN RELIEF ADJUSTER HOUSING

	NAME	DATE	PREMAC		
DRAWN	DG	01/29/14			
APPROVED			TITLE V200 Main Relief		
MATERIAL					
TREATMENT			SIZE A4	DWG NO V200 MR	REV
UNLESS OTHERWISE SPECIFIED DIMENSIONS ARE IN MILLIMETERS ANGLES ±0.1°			FILE NAME: Main Relief.dft		
1st ANGLE	2 PL ±0.02	3 PL ±0.005	SCALE:	WEIGHT:	SHEET 3 OF 5

REVISION HISTORY			
REV	DESCRIPTION	DATE	APPROVED



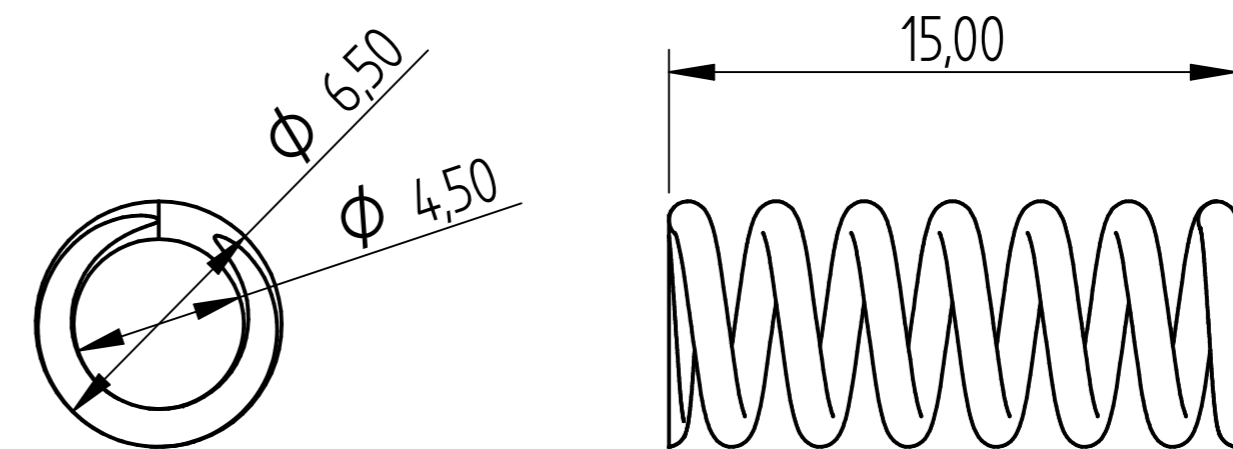
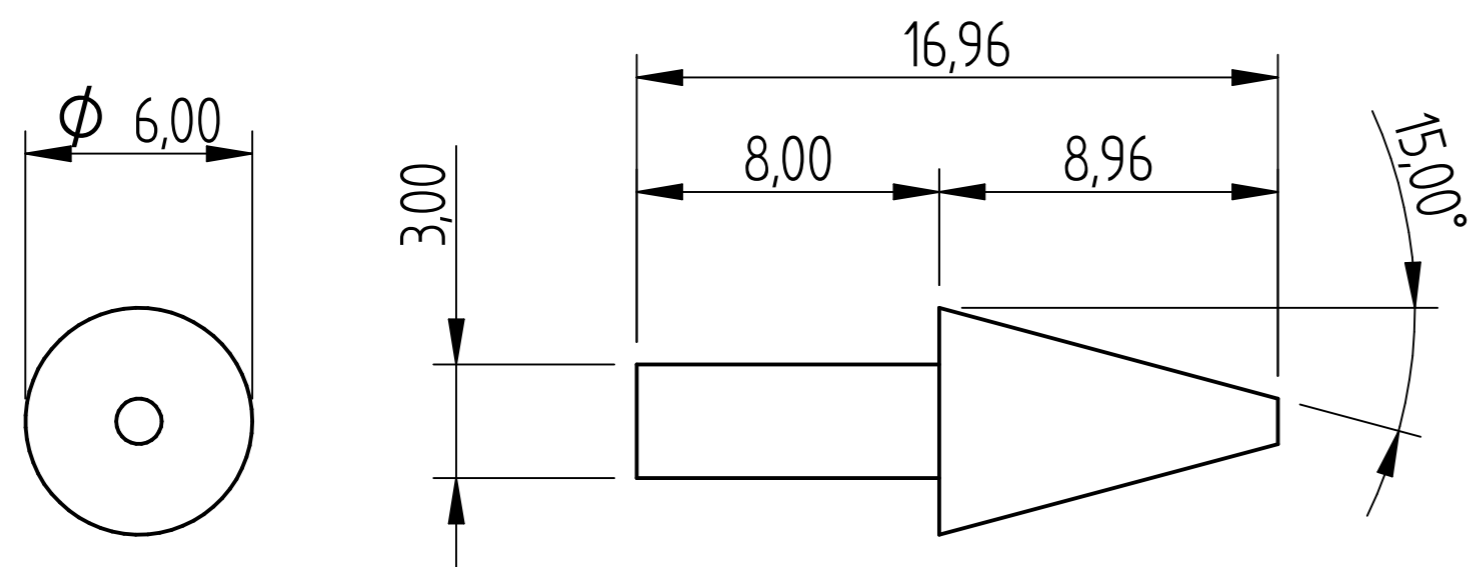
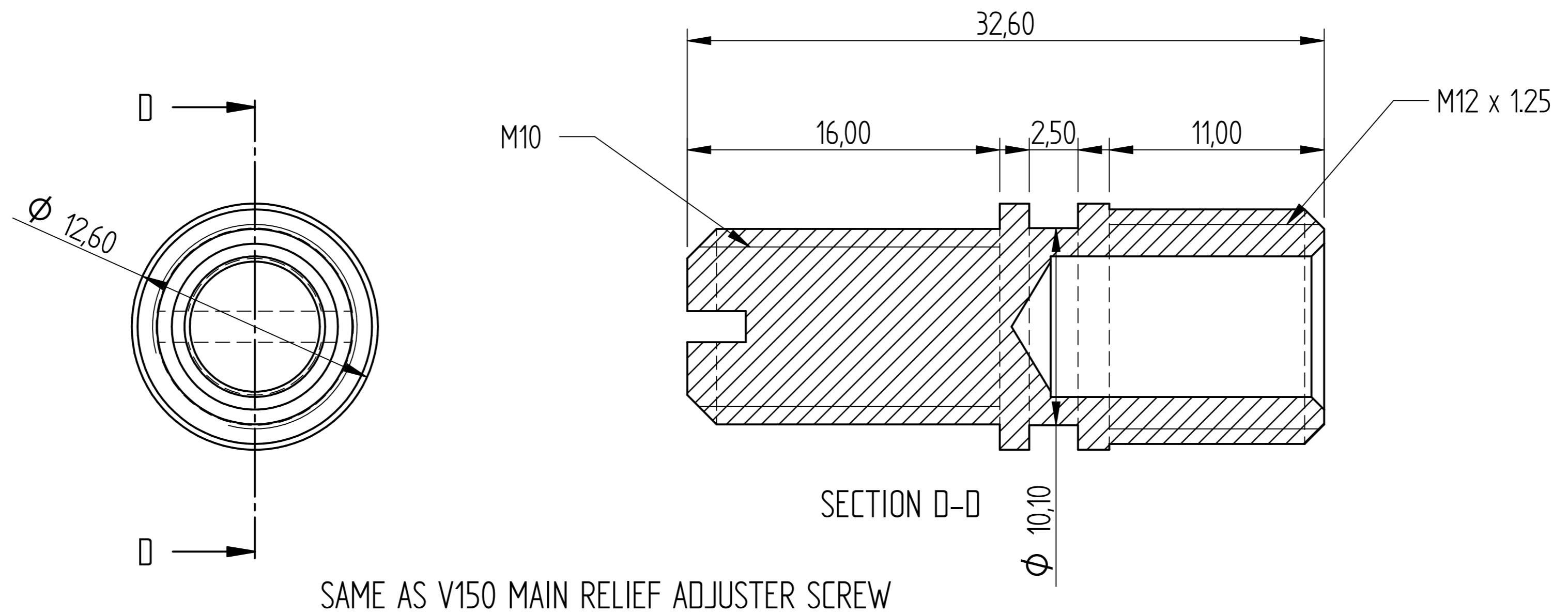
SAME AS V150 MAIN RELIEF PISTON



SAME AS V150 MAIN RELIEF PISTON SPRING

	NAME	DATE	PREMAC		
DRAWN	DG	01/29/14			
APPROVED			TITLE V200 Main Relief		
MATERIAL					
TREATMENT			SIZE A4	DWG NO V200 MR	REV
UNLESS OTHERWISE SPECIFIED DIMENSIONS ARE IN MILLIMETERS ANGLES $\pm 0,1^\circ$			FILE NAME: Main Relief.dff		
1st ANGLE 			SCALE: 2 PL $\pm 0,02$ 3 PL $\pm 0,005$	WEIGHT:	SHEET 4 OF 5

REVISION HISTORY			
REV	DESCRIPTION	DATE	APPROVED



SAME AS V150 MAIN RELIEF ADJUSTER POPPET

SAME AS V150 MAIN RELIEF ADJUSTER SCREW SPRING

	NAME	DATE	PREMAC		
DRAWN	DG	01/29/14			
APPROVED			TITLE V200 Main Relief		
MATERIAL					
TREATMENT			SIZE A4	DWG NO V200 MR	REV
UNLESS OTHERWISE SPECIFIED DIMENSIONS ARE IN MILLIMETERS ANGLES ±0.1°			FILE NAME: Main Relief.dft		
1st ANGLE 2 PL ±0.02 3 PL ±0.005			SCALE:	WEIGHT:	SHEET 5 OF 5