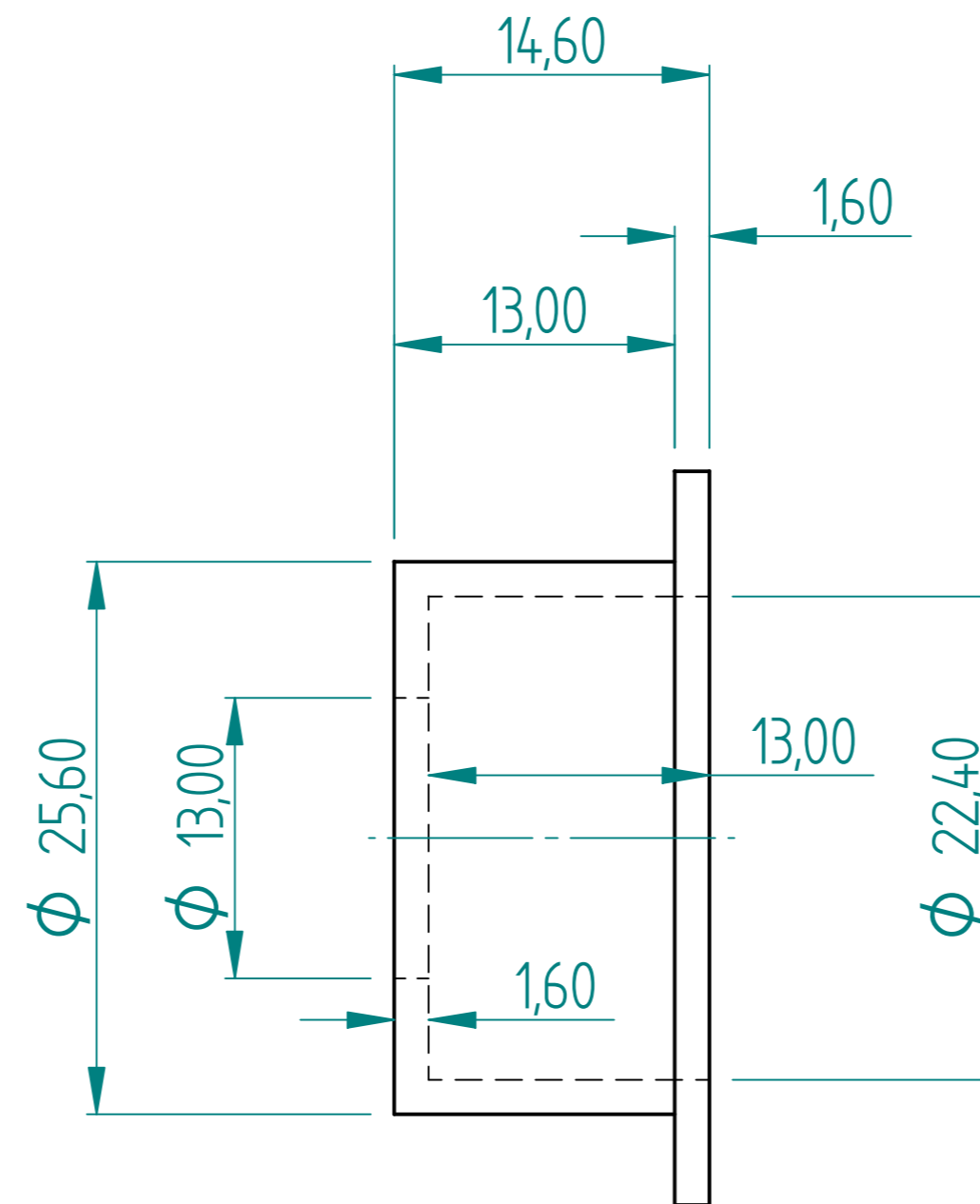
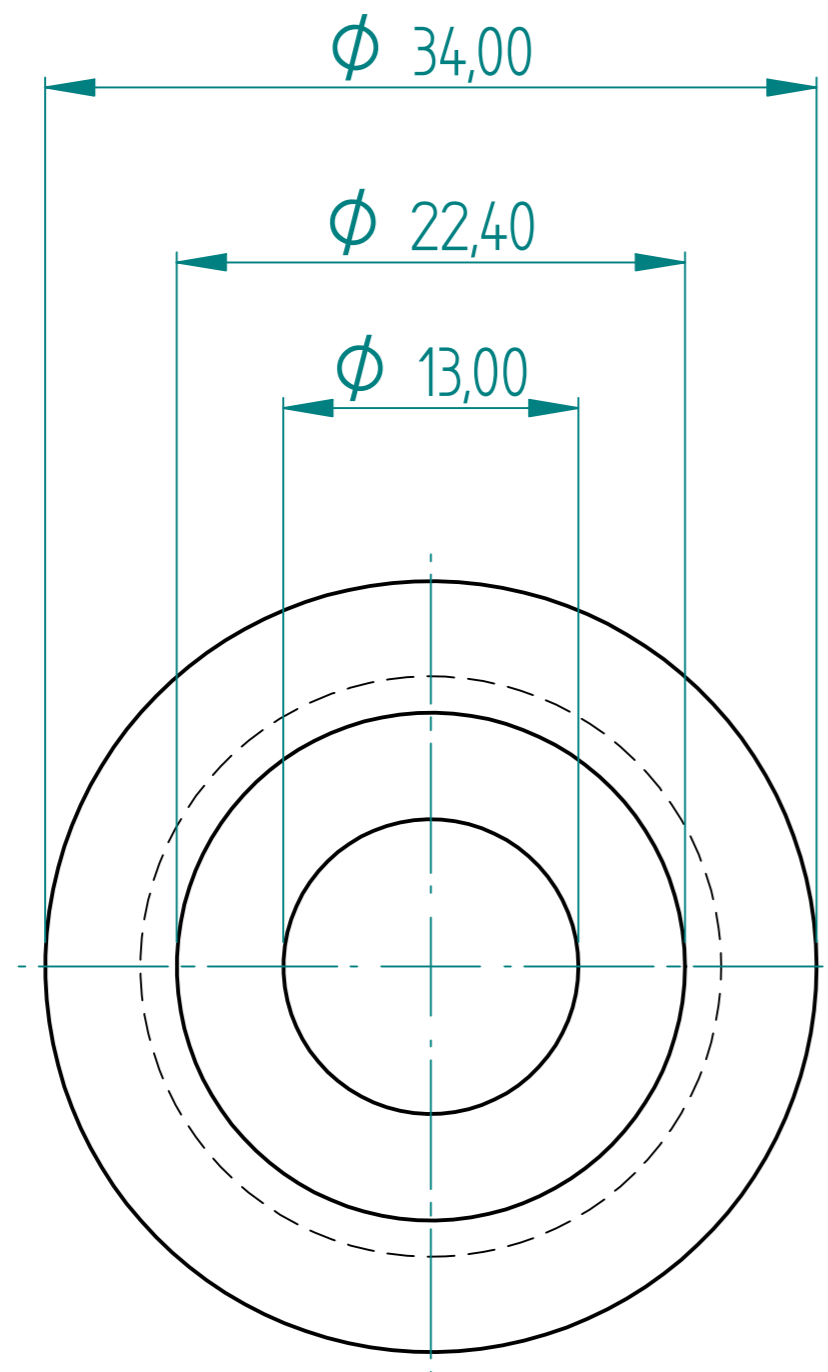


REVISION HISTORY			
REV	DESCRIPTION	DATE	APPROVED



V150 HR STD SPRING CUP

	NAME	DATE	PREMAC		
DRAWN	Dan	06/28/10			
APPROVED			TITLE		
MATERIAL					
TREATMENT			UNLESS OTHERWISE SPECIFIED DIMENSIONS ARE IN MILLIMETERS		
			SIZE A4	DWG NO	REV
			FILE NAME: H R Std Spring Cup.dft		
			SCALE:	WEIGHT:	SHEET 1 OF 1