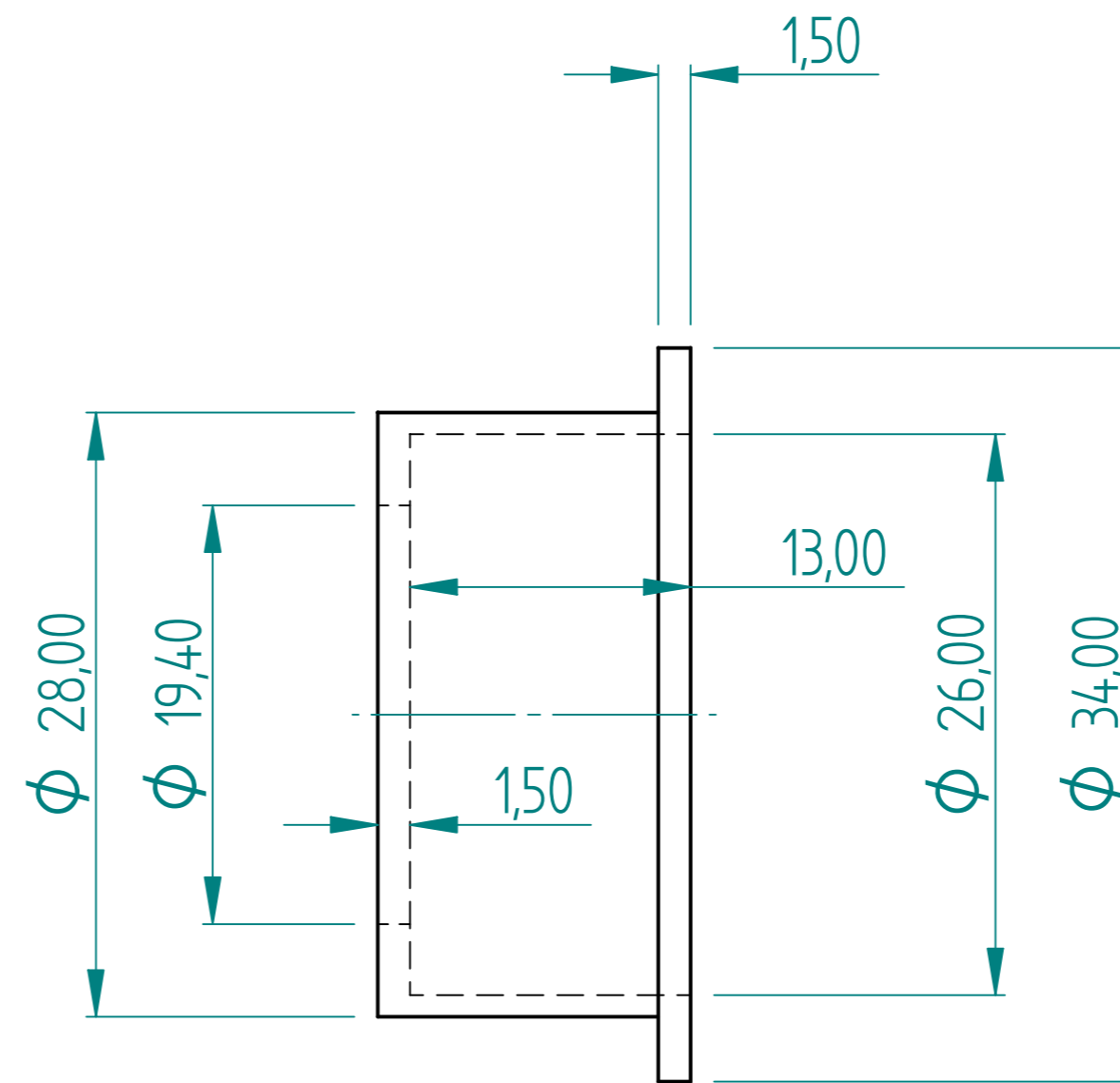
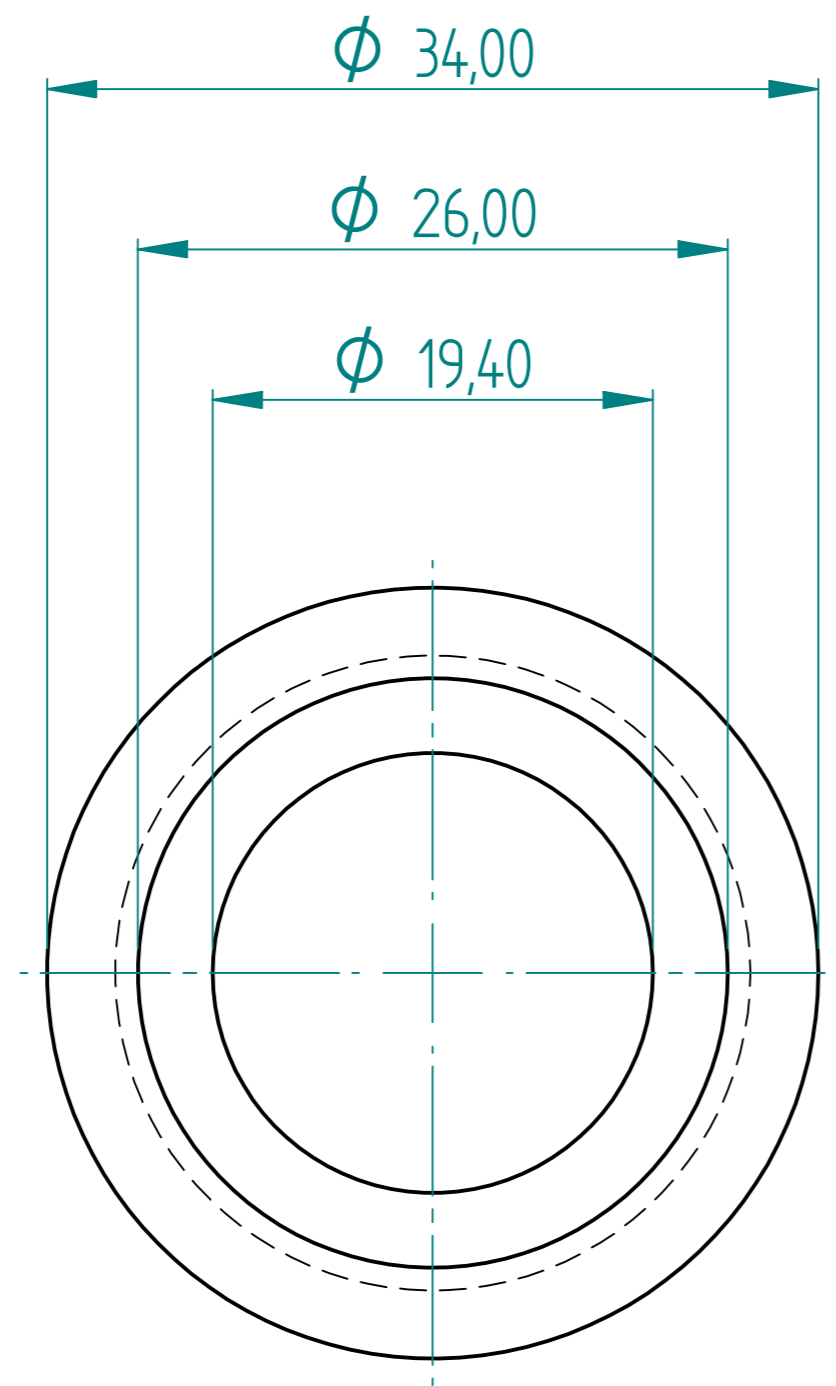


REVISION HISTORY			
REV	DESCRIPTION	DATE	APPROVED



V150 FLOAT SPRING CUP

	NAME	DATE	PREMAC	
DRAWN	Dan	06/28/10		
APPROVED				
MATERIAL				
TREATMENT			TITLE	
UNLESS OTHERWISE SPECIFIED DIMENSIONS ARE IN MILLIMETERS			SIZE A4	DWG NO
1 st ANGLE 2 PL $\pm 0,02$ 3 PL $\pm 0,005$			FILE NAME: Float Spring Cup.dft	REV
SCALE:	WEIGHT:	SHEET 1 OF 1		