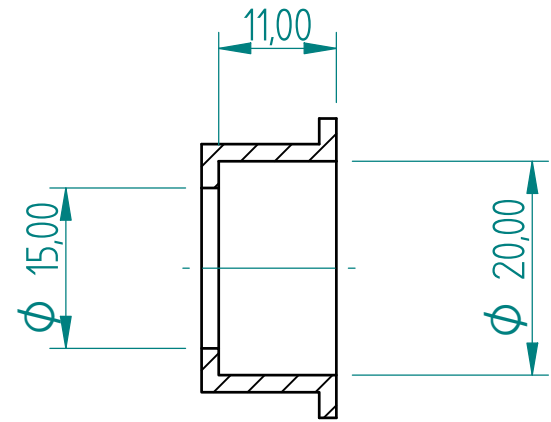
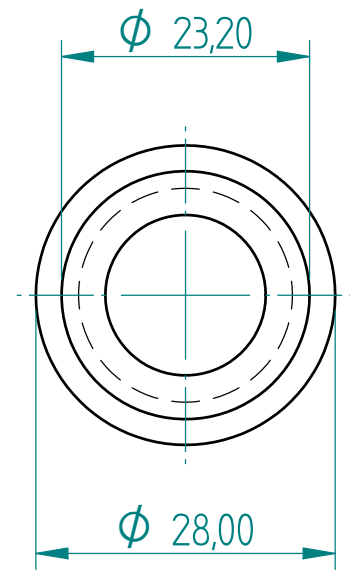
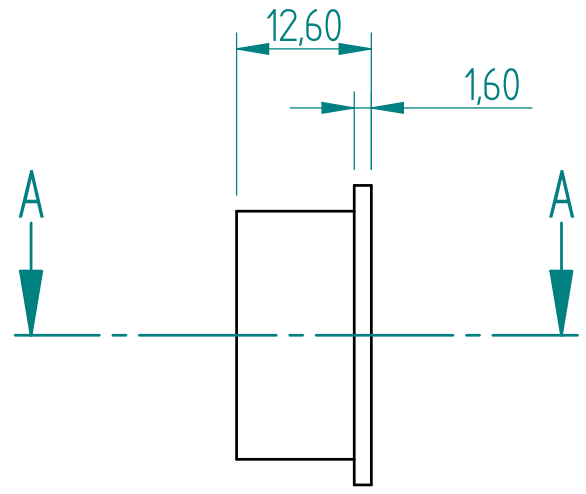



REVISION HISTORY

REV	DESCRIPTION	DATE	APPROVED



SECTION A-A

	NAME	DATE	<p>PREMAC PRECISION MACHINE MANUFACTURERS (PTY)LTD.</p> <p>TITLE V75 STD SPRING CUP</p>	
DRAWN	D.L.G	06/01/10		
APPROVED				
MATERIAL				
TREATMENT			SIZE A3	DWG NO
<p>UNLESS OTHERWISE SPECIFIED DIMENSIONS ARE IN MILLIMETERS ANGLES ±0.1°</p>			<p>FILE NAME: Spring Cup.dft</p>	
<p>1st ANGLE  2 PL ±0.02 3 PL ±0.005</p>			SCALE:	WEIGHT:
			SHEET 1 OF 2	